



US010234240B2

(12) **United States Patent**
Northrup et al.

(10) **Patent No.:** **US 10,234,240 B2**
(45) **Date of Patent:** **Mar. 19, 2019**

(54) **SYSTEM AND METHOD FOR MARKSMANSHIP TRAINING**

(56) **References Cited**

(71) Applicant: **Shooting Simulator, LLC**, Yantis, TX (US)

U.S. PATENT DOCUMENTS
2,023,497 A 12/1935 Trammell
3,748,751 A 7/1973 Breglia et al.
(Continued)

(72) Inventors: **James L. Northrup**, Dallas, TX (US);
Robert P. Northrup, Dallas, TX (US);
Peter F. Blakeley, Yantis, TX (US)

FOREIGN PATENT DOCUMENTS

(73) Assignee: **Shooting Simulator, LLC**, Dallas, TX (US)

CA 2745701 A1 6/2010
EP 1218687 7/2003
(Continued)

(*) Notice: Subject to any disclaimer, the term of this patent is extended or adjusted under 35 U.S.C. 154(b) by 291 days.

OTHER PUBLICATIONS

(21) Appl. No.: **14/969,302**

Control VR, "The Future of Virtual Reality, Animation & more", video, (undated), <https://www.youtube.com/watch?v=UCIUkL24oMc>.
(Continued)

(22) Filed: **Dec. 15, 2015**

(65) **Prior Publication Data**
US 2016/0169627 A1 Jun. 16, 2016

Primary Examiner — Timothy A Musselman
(74) *Attorney, Agent, or Firm* — Schultz & Associates, P.C.

Related U.S. Application Data

(63) Continuation-in-part of application No. 14/686,398, filed on Apr. 14, 2015, now Pat. No. 10,030,937, (Continued)

(57) **ABSTRACT**

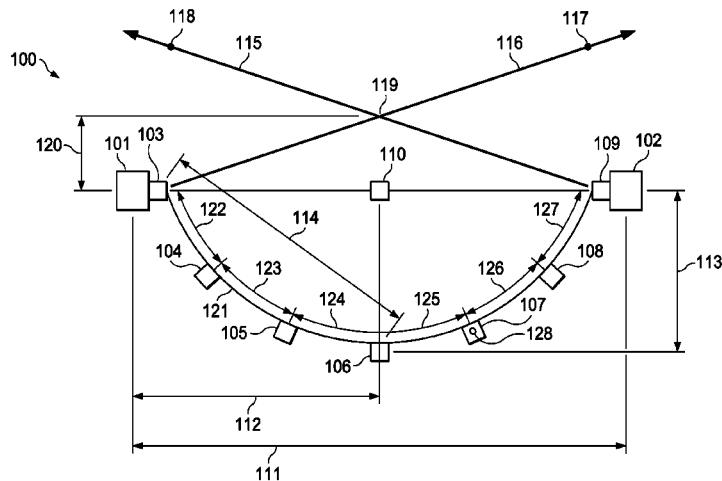
(51) **Int. Cl.**
F41G 3/26 (2006.01)
F41A 33/00 (2006.01)
G06F 3/01 (2006.01)

A system and method for simulating lead of a target includes a network, a simulation administrator and a user device connected to the network, a database connected to the simulation administrator, and a set of position trackers positioned at a simulator site. The user device includes a virtual reality unit and a computer connected to the set of virtual reality unit and to the network. A generated target is simulated. The target and the user are tracked to generate a phantom target and a phantom halo. The phantom target and the phantom halo are displayed on the virtual reality unit at a lead distance and a drop distance from the target as viewed through the virtual reality unit.

(52) **U.S. Cl.**
CPC **F41G 3/2633** (2013.01); **F41A 33/00** (2013.01); **F41G 3/26** (2013.01); **F41G 3/2655** (2013.01); **G06F 3/011** (2013.01)

(58) **Field of Classification Search**
CPC F41A 33/00; F41A 33/02; F41A 33/04; F41A 33/06; F41A 33/08; F41G 3/26;
(Continued)

20 Claims, 29 Drawing Sheets



Related U.S. Application Data

which is a continuation-in-part of application No. 14/149,418, filed on Jan. 7, 2014, now Pat. No. 9,261,332, which is a continuation-in-part of application No. 13/890,997, filed on May 9, 2013, now Pat. No. 9,267,762.

(58) Field of Classification Search

CPC F41G 3/2616; F41G 3/2644; F41G 3/2633; F41G 3/2655; G06F 3/011

See application file for complete search history.

(56)

References Cited

U.S. PATENT DOCUMENTS

3,811,204	A	5/1974	Marshall et al.
3,904,204	A	9/1975	Yokol
3,945,133	A	3/1976	Mohan et al.
3,995,376	A	12/1976	Kimble et al.
4,079,525	A	3/1978	Linton et al.
4,102,059	A	7/1978	Kimble et al.
4,223,454	A	9/1980	Mohan et al.
4,317,651	A	3/1982	Marshall et al.
4,457,715	A	7/1984	Knight et al.
4,583,950	A	4/1986	Schroeder
4,824,374	A	4/1989	Hendry et al.
5,194,006	A	3/1993	Zaengli, Jr.
5,591,032	A	1/1997	Powell et al.
5,641,288	A	6/1997	Zaenglein, Jr.
5,991,043	A	11/1999	Andersson et al.
6,322,365	B1	11/2001	Shechter et al.
6,780,014	B1	8/2004	Hull et al.
6,942,486	B2	9/2005	Lvovskiy
RE38,877	E	11/2005	Trabut
6,997,716	B2	2/2006	Skala et al.
7,188,444	B2	3/2007	Danner et al.
7,329,127	B2	2/2008	Kendir et al.
7,810,273	B2	10/2010	Koch et al.
8,016,594	B2	9/2011	Ferris et al.
8,267,691	B1	9/2012	Ferris et al.
8,646,201	B2	2/2014	Hughes et al.
8,734,156	B2	5/2014	Uhr
8,827,706	B2	9/2014	Hogan, Jr.
8,926,444	B2	1/2015	Kato et al.
8,944,940	B2	2/2015	Mettler
9,200,870	B1	12/2015	Theel
2002/0012898	A1	1/2002	Shechter et al.
2003/0109298	A1	6/2003	Oishi et al.
2004/0031184	A1	2/2004	Hope
2006/0158910	A1	7/2006	Hunt et al.
2007/0032318	A1	2/2007	Nishimura et al.
2007/0254266	A1	11/2007	Galanis et al.
2008/0108021	A1	5/2008	Slayton et al.
2009/0155747	A1	6/2009	Cornett et al.
2009/0325699	A1	12/2009	Delgiannidis
2010/0141225	A1	6/2010	Isham et al.
2010/0173686	A1	7/2010	Grant et al.
2010/0201620	A1	8/2010	Sargent
2011/0111374	A1	5/2011	Charles et al.
2011/0207089	A1	8/2011	Lagettie et al.
2011/0244975	A1	10/2011	Farmer et al.
2011/0283586	A1	11/2011	Scallie et al.
2012/0015332	A1	1/2012	Stutz
2012/0183931	A1	7/2012	Galanis et al.
2012/0270186	A1	10/2012	Singh
2012/0297654	A1	11/2012	Williams et al.
2013/0040268	A1	2/2013	Van der Walt et al.
2013/0130205	A1	5/2013	Matthews et al.
2013/0344461	A1	12/2013	Tello
2014/0038136	A1	2/2014	Hamilton et al.
2014/0206481	A1	7/2014	Zuger
2014/0295380	A1	10/2014	Amis et al.
2015/0010887	A1	1/2015	Foege

FOREIGN PATENT DOCUMENTS

EP	944809	10/2003
TW	201241396	10/2012
WO	2010065124	6/2010

OTHER PUBLICATIONS

Davies, Alex, "Hands-on With the HTC Vive", Tom's Hardware, website, Mar. 30, 2015, <http://www.tomshardware.com/reviews/htc-vive-virtual-reality-hands-on,4102.html>.

EOTech, Inc., "EOTech Weapon Accessories", website, (undated), <http://www.eotechinc.com>.

EOTech, Inc., "Pro Staffer: Craig Foster", website, (undated), <http://www.eotechinc.com/pro-staffer-craig-foster>.

Freeze HD, "Top 5 Virtual Reality gadgets of the future", video, (undated), <https://www.youtube.com/watch?v=9ypIHQhVXU>.

"Image Stabilization", Wikipedia, website, (undated), http://en.wikipedia.org/wiki/Image_stabilization#Digital_image_stabilization.

Tracking Point, Inc., "How It Works", website, (undated), <http://tracking-point.com/how-it-works>.

"US Patent Issued to Vitra Systems on Sep. 18 for Threat Fire Simulation and Training System" (Arizona Inventors), HighBeam Research, website, Sep. 19, 2012, <http://www.highbeam.com/doc/1P3-2764873051.html>.

Van Camp, Jeffrey, "Hands on: HTC Vive VR Headset", DigitalTrends, website, Mar. 4, 2015, <http://www.digitaltrends.com/vr-headset-reviews/htc-vive-hands-on/2/>.

Vanguard, "Smart gun: A test bed for the army's next-generation rifle", website, May 6, 2015, <http://www.vanguardcanada.com/2015/05/06/smart-gun-a-test-bed-for-the-armys-next-generation-rifle/>.

Vitra, Inc., "Firearms Training Simulators", website, (undated), <http://www.vitra.com/>.

Vitra, Inc., "Patent Information", website, (undated), <http://www.vitra.com/patent-related/>.

Vitra, "VirTra on CNN Anderson Cooper 360", video, (undated), <https://vimeo.com/117621064>.

Wawro, Alex, "TrackingPoint's sensor-packed smart gun redefines the term 'point and shoot'", TechHive, website, Jul. 31, 2013, <http://www.techhive.com/article/2045080/trackingpoints-sensor-packed-smart-gun-redefines-the-term-point-and-shoot.html>.

Zant, Cal, "How Do Rangefinders Work?", Precision Rifle Blog, website, Oct. 29, 2013, <http://precisionrifleblog.com/2013/10/29/how-do-rangefinders-work/>.

Zant, Cal, "RangeFinder Binoculars Reviews & Field Tests: Overall Results Summary", Precision Rifle Blog, website, Dec. 3, 2013, <http://precisionrifleblog.com/2013/12/03/rangefinder-binoculars-reviews-field-tests-overall-results-summary/>.

accurateshooter.com, "New Wind-Reading LIDAR LaserScope", website, (undated), www accurateshooter.com/optics/new-wind-reading-lidar-laserscope/.

accurateshooter.com, "SCATT Aim-Tracking IR Training System", website, (undated), <http://www accurateshooter.com/optics/scatt-aim-tracking-ir-training-system/>.

Avenger Advantage, LLC, "Delta Six: The Ultimate First Person Shooter Controller", website, (undated), <http://www.thedeltasix.com/>.

Brewster, Signe, "Hands on with the HTC Valve Vive virtual reality headset", Gigaom, website, May 7, 2015, <https://gigaom.com/2015/03/07/hands-on-with-the-htc-valve-vive-virtual-reality-headset/>.

Bushnell, "Yardage Pro RifleScope", website, (undated), <http://www.bushnell.com/all-products/laser-rangefinders/yardage-pro-riflescope>.

Fove, "The World's First Eye Tracking Virtual Reality Headset", May 19, 2015, http://kickstarter.com/projects/fove/fove-the-worlds-first-eye-tracking-virtual-reality/?utm_source=road-to-vr&utm_medium=display&utm_content=banner-ad&utm_campaign=launch-announcement-preorder.

"10 Forthcoming Augmented Reality & Smart Glasses You Can Buy.pdf", <http://www.hongkiat.com/blog/augmented-reality-smart-glasses/>, accessed on Apr. 26, 2017.

(56)

References Cited

OTHER PUBLICATIONS

“Augmented Reality Using Unity3D, Vuforia and Arduino”, <http://www.instructables.com/id/Augmented-Reality-using-Unity3D-Vuforia-and-Arduino/>, accessed on Apr. 26, 2017.

“Bushnell 50 Caliber to 12-Gauge Expandable Arbor”, https://www.amazon.com/Bushnell-Caliber-12-Gauge-Expandable-Arbor/dp/B0002LWWBM/ref=pd_sim_200_1?encoding=UTF8&pd_rd_i=B0002LWWBM&pd_rd_r=B91VNN5NMQF3PGM9ZG2T&pd_rd_w=0SqtJ&pd_rd_wg=0syk9&psc=1&refRID=B91VNN5NMQF3PGM9ZG2T, accessed on Apr. 26, 2017.

“Custom Single Zone Force Sensing Resistors”, <http://www.sensitronics.com/products-fsr.php>, accessed on Apr. 26, 2017.

“Force Sensing Linear Potentiometers”, <http://www.sensitronics.com/products-force-sensing-linear-potentiometers.php>, accessed on Apr. 26, 2017.

“Go Beyond Your VR Controllers”, <https://www.vive.com/us/vive-tracker/>, accessed on Apr. 26, 2017.

“Intro to Unity3D and AR (Augmented Reality)”, <http://www.rivellomultimediaconsulting.com/unity3d-augmented-reality/>, accessed on Apr. 26, 2017.

“Laser Training Cartridges Gen2”, <http://www.g-sight.com/training-lasers/>, accessed on Apr. 26, 2017.

“Magic Leaps Augmented Reality FPS Demo Is Unbelievable”, <http://www.cinemablend.com/games/Magic-Leap-Augmented-Reality-FPS-Demo-Unbelievable-70816.html>, accessed on Apr. 26, 2017.

“MeshLab”, <http://www.meshlab.net/>, accessed on Apr. 26, 2017.

“Quick Release Pipe Clamp”, https://www.amazon.com/Grifiti-Threaded-Microphone-Diameter-Motorcycles/dp/B00E5M39AW/ref=pd_rhf_dp_s_cp_5?encoding=UTF8&pd_rd_i=B00E5M39AW&pd_rd_r=QQB0M0FYBZ1QBQ65V7WG&pd_rd_w=iE5RV&pd_rd_wg=ZFRKc&psc=1&refRID=QQB0M0FYBZ1QBQ65V7WG, accessed on Apr. 26, 2017.

“Shotgun pattern measurement & analysis”, <http://www.shotgun-insight.com/intro.html>, accessed on Apr. 26, 2017.

“Super photo clamp”, <https://www.manfrotto.us/super-photo-clamp-without-stud-aluminium>, accessed on Apr. 26, 2017.

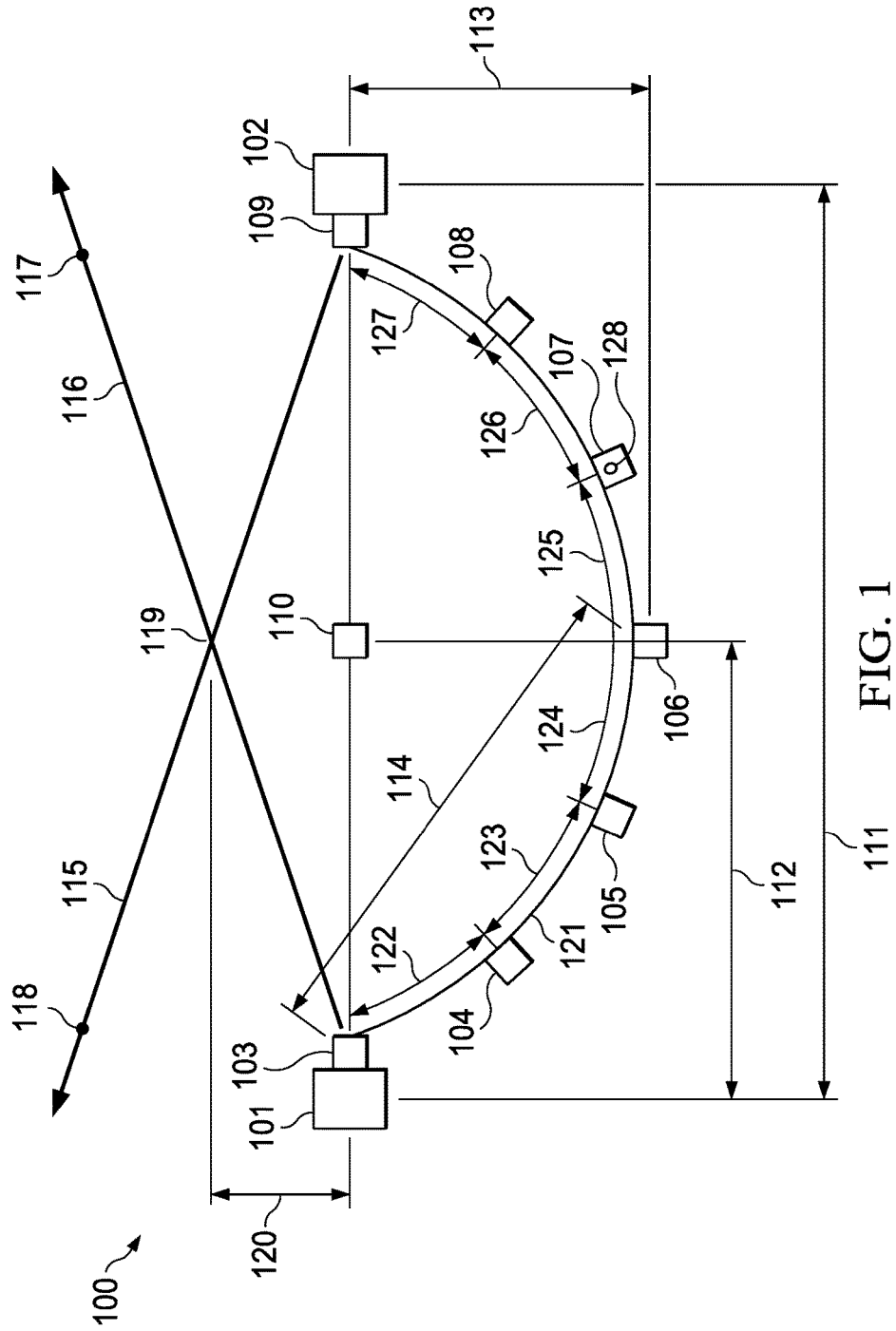
“Tipton Snap Cap Pistol ACP 5 Pack”, <http://www.opticsplanet.com/tipton-snap-cap-pistol-5-pack.html>, accessed on Apr. 26, 2017.

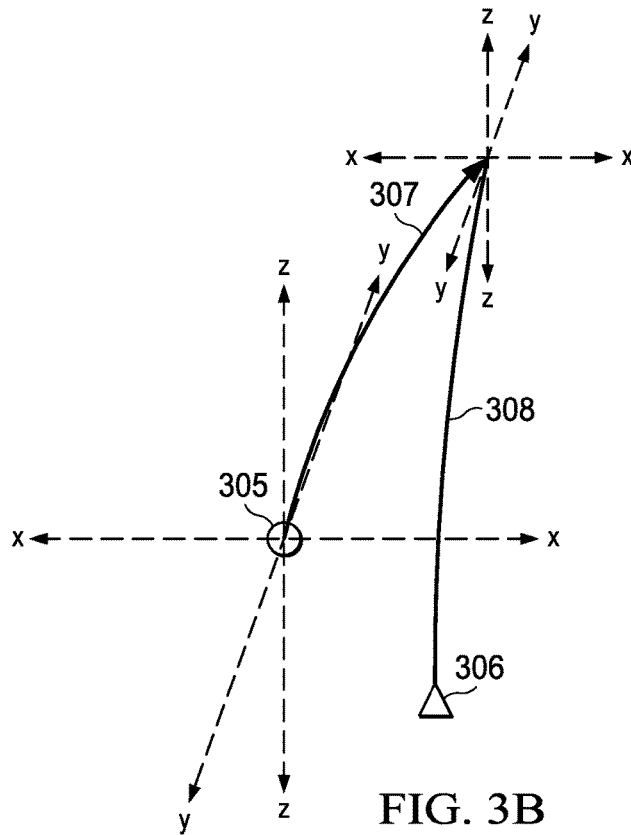
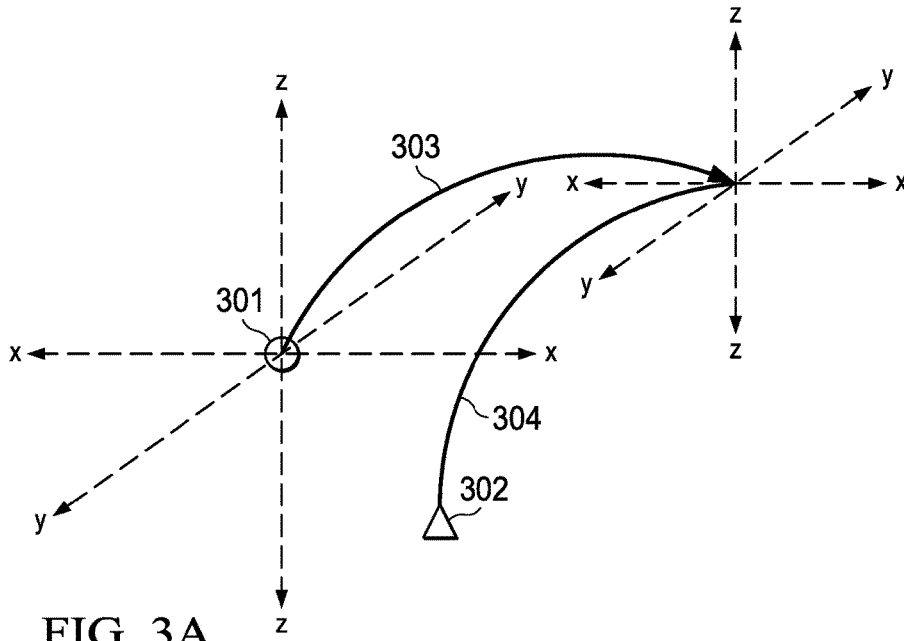
“Vive Tracker Includes USB Add-on to Connect the Additional Accessory”, <https://uploadvr.com/vive-tracker-includes-usb-add-connect-wireless-accessories/>, accessed on Apr. 26, 2017.

“Voice-activated control for your PC games and apps”, <https://voiceattack.com/>, accessed on Apr. 26, 2017.

Ansar, “Registration for augmented reality” Abstract, <http://repository.upenn.edu/dissertations/AAI3031635/>, accessed on Apr. 26, 2017.

ARC4 True Augmented Reality, https://www.ara.com/sites/default/files/docs/ARC4_Brochure_Commercial.pdf, accessed on Apr. 26, 2017.





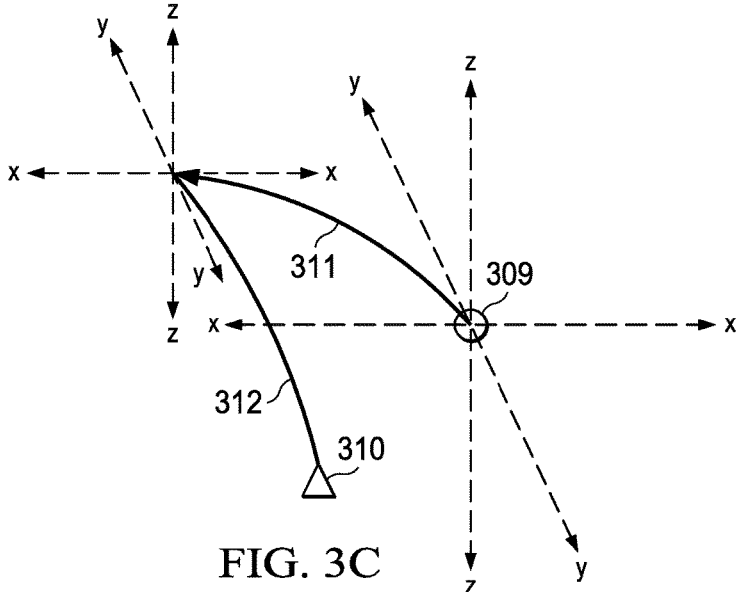


FIG. 3C

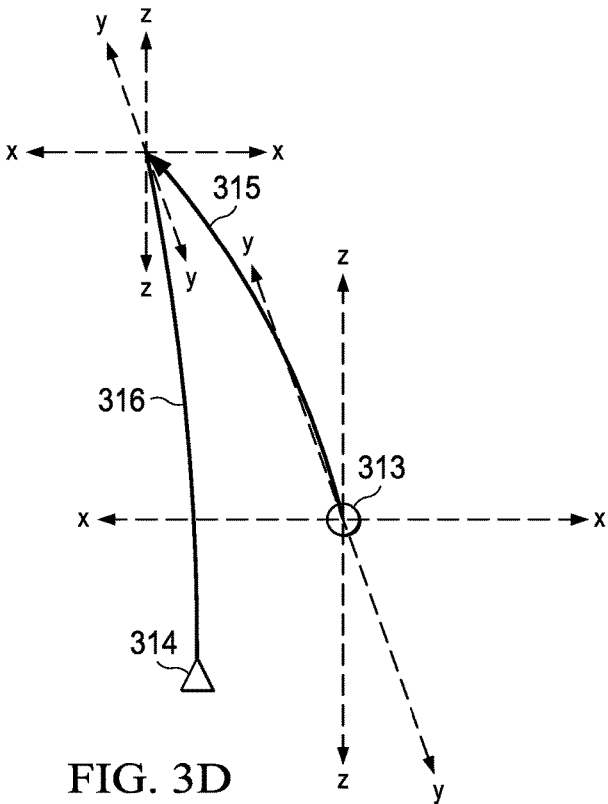


FIG. 3D

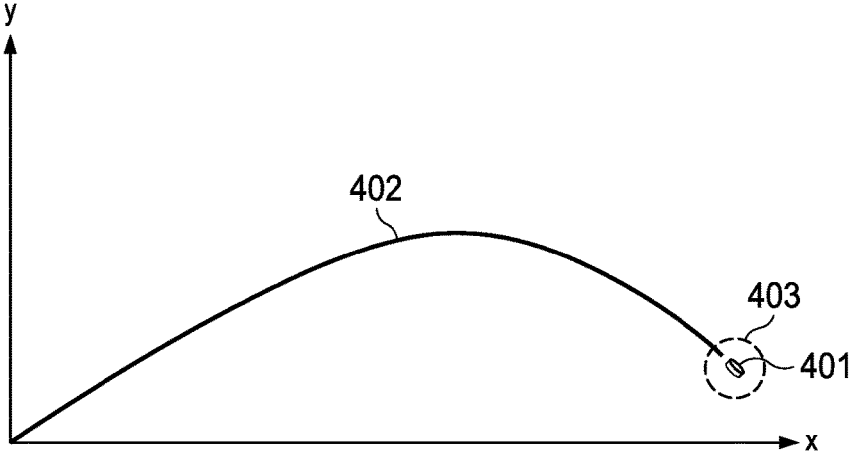


FIG. 4A

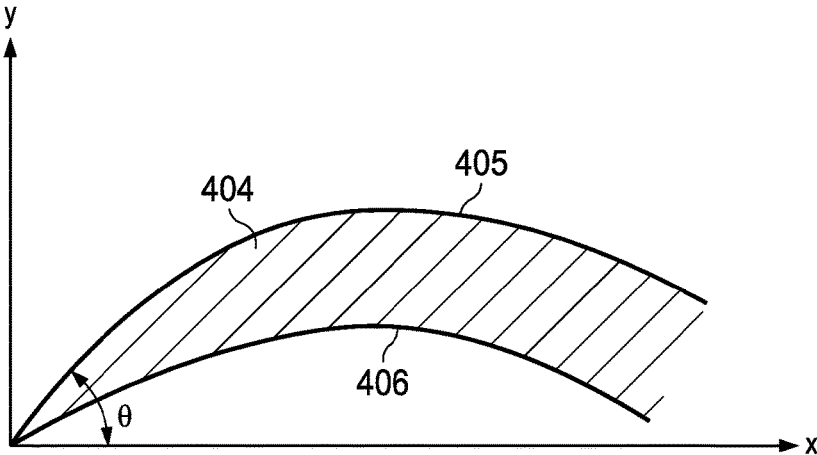


FIG. 4B

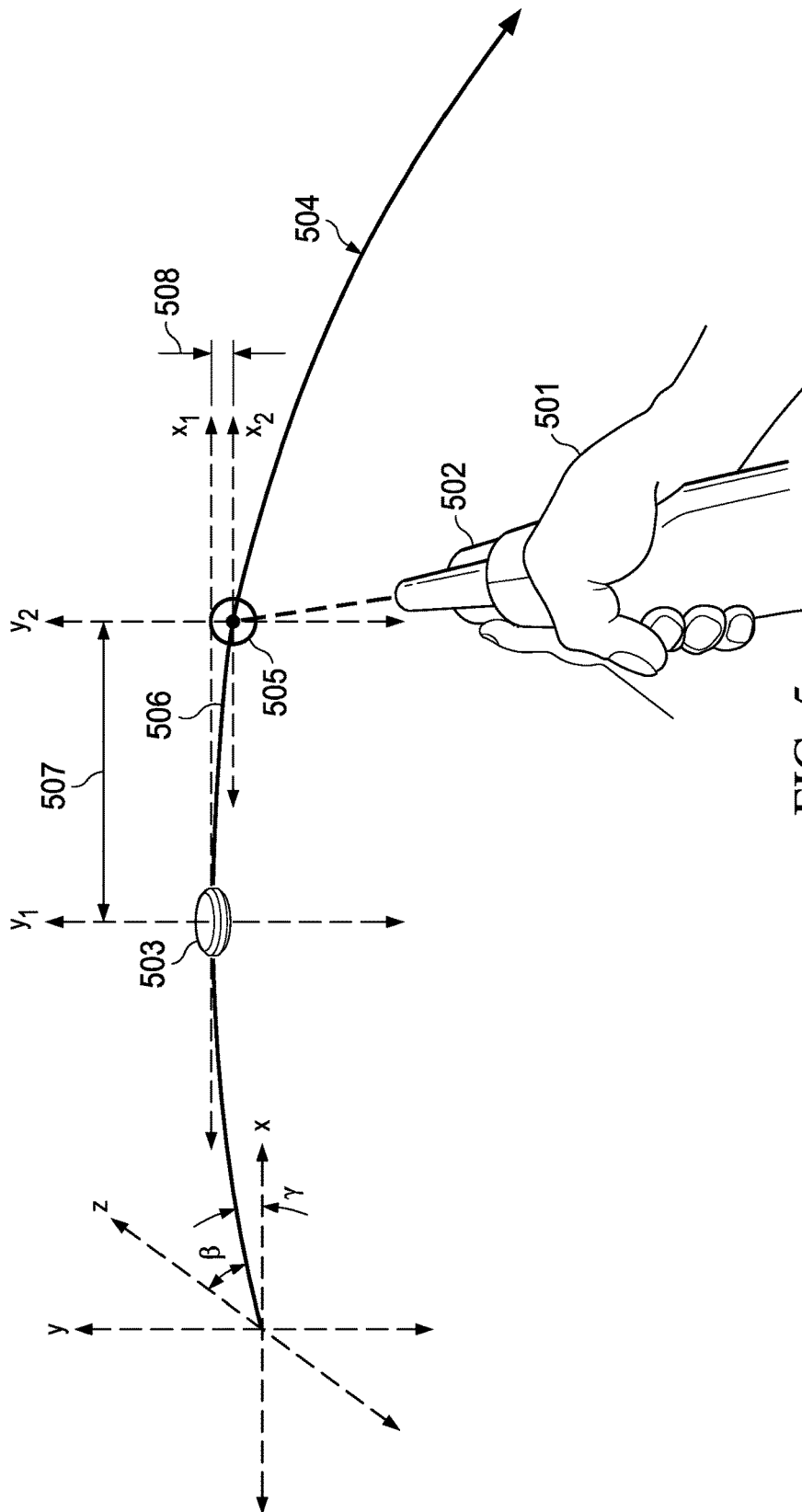


FIG. 5

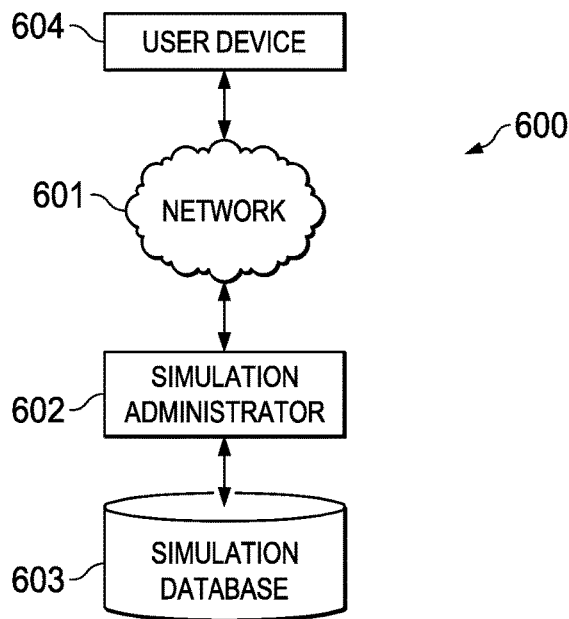


FIG. 6

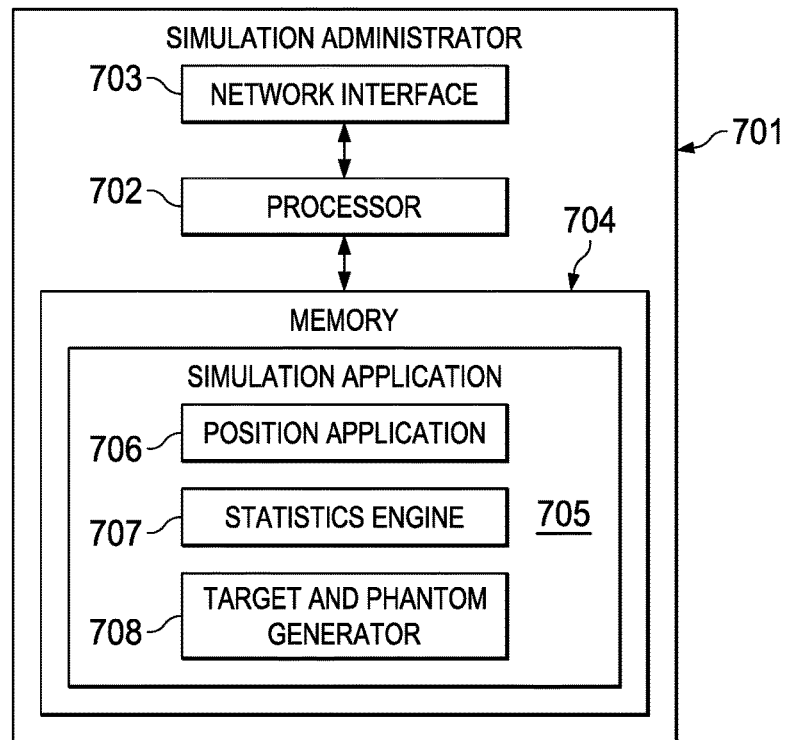


FIG. 7

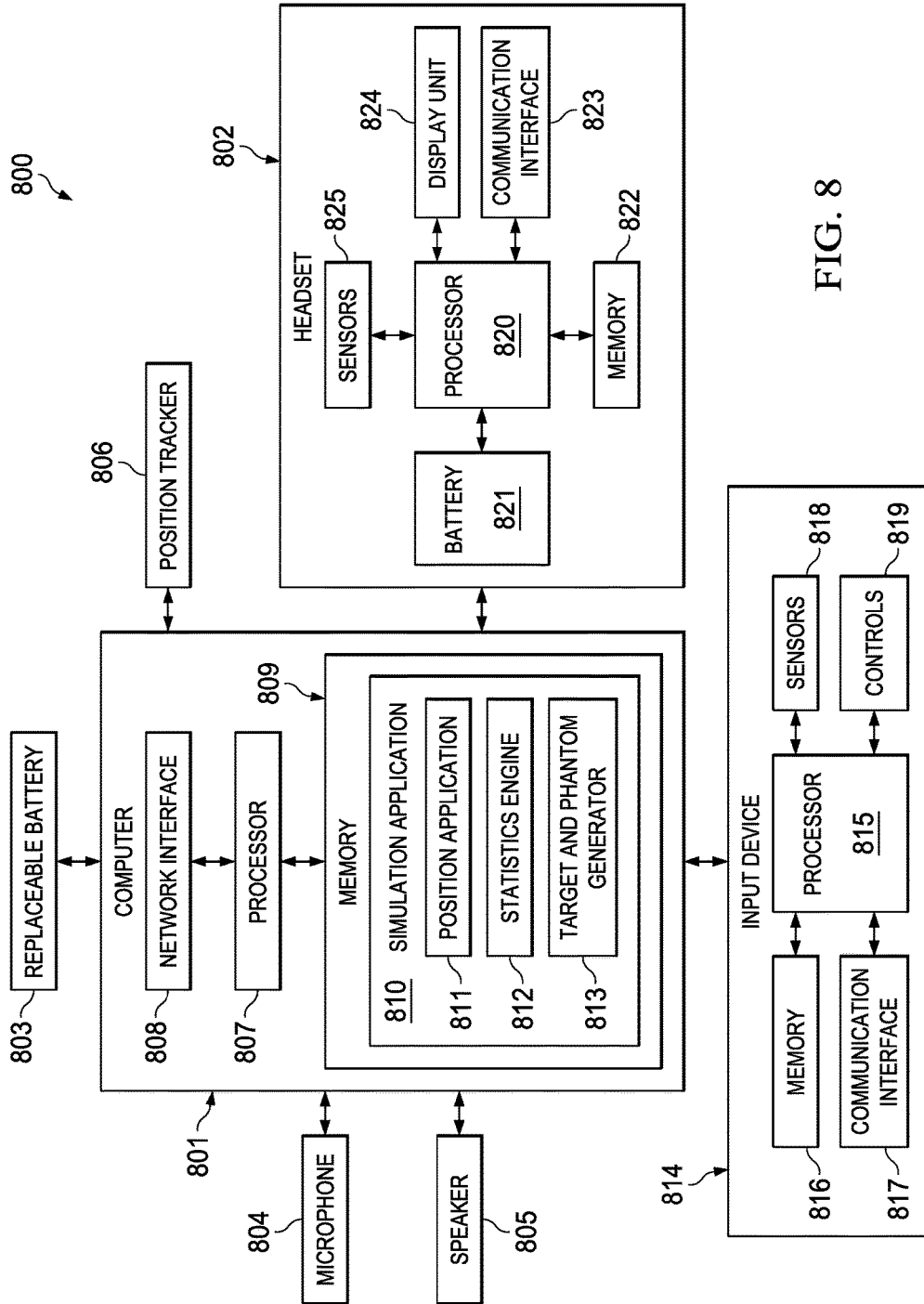


FIG. 8

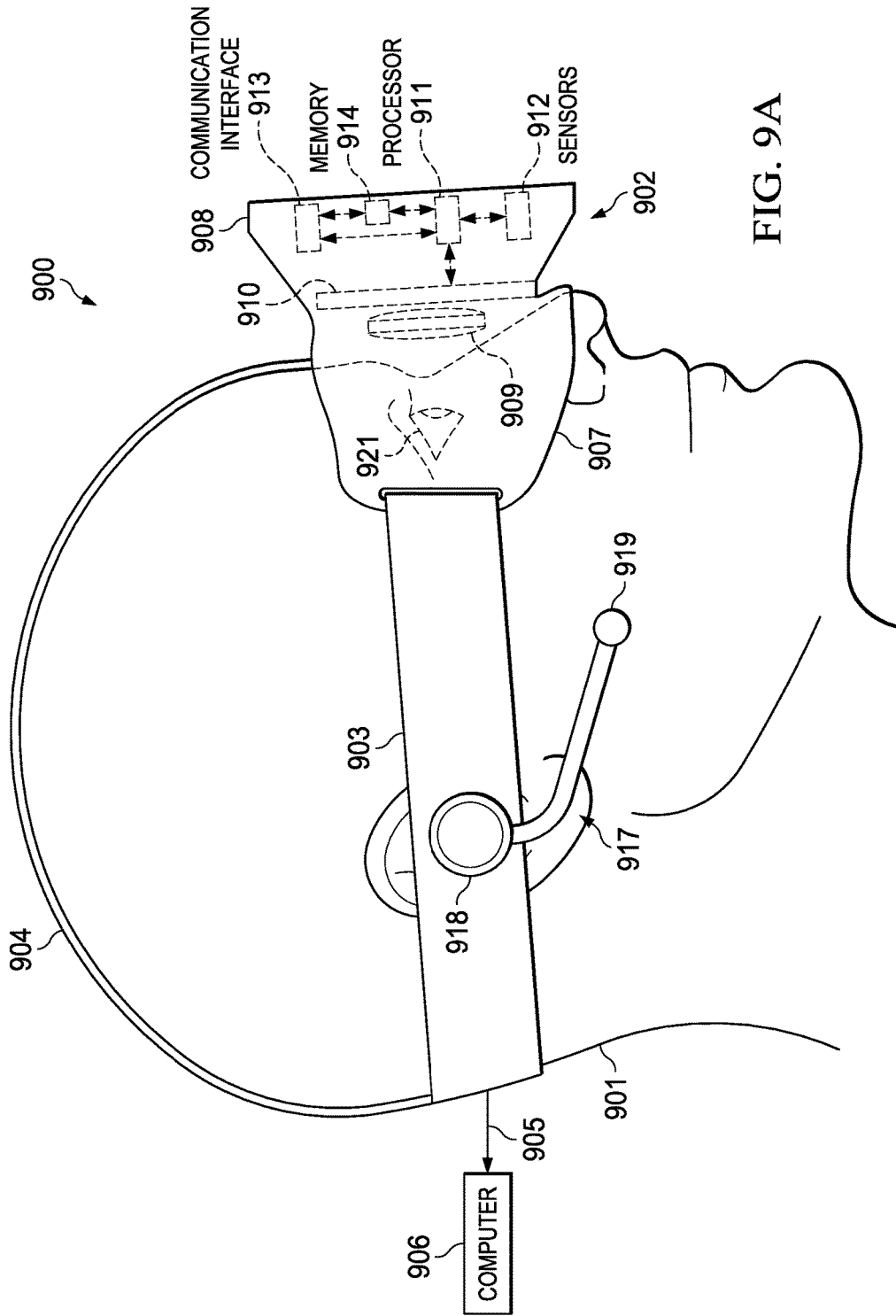


FIG. 9A

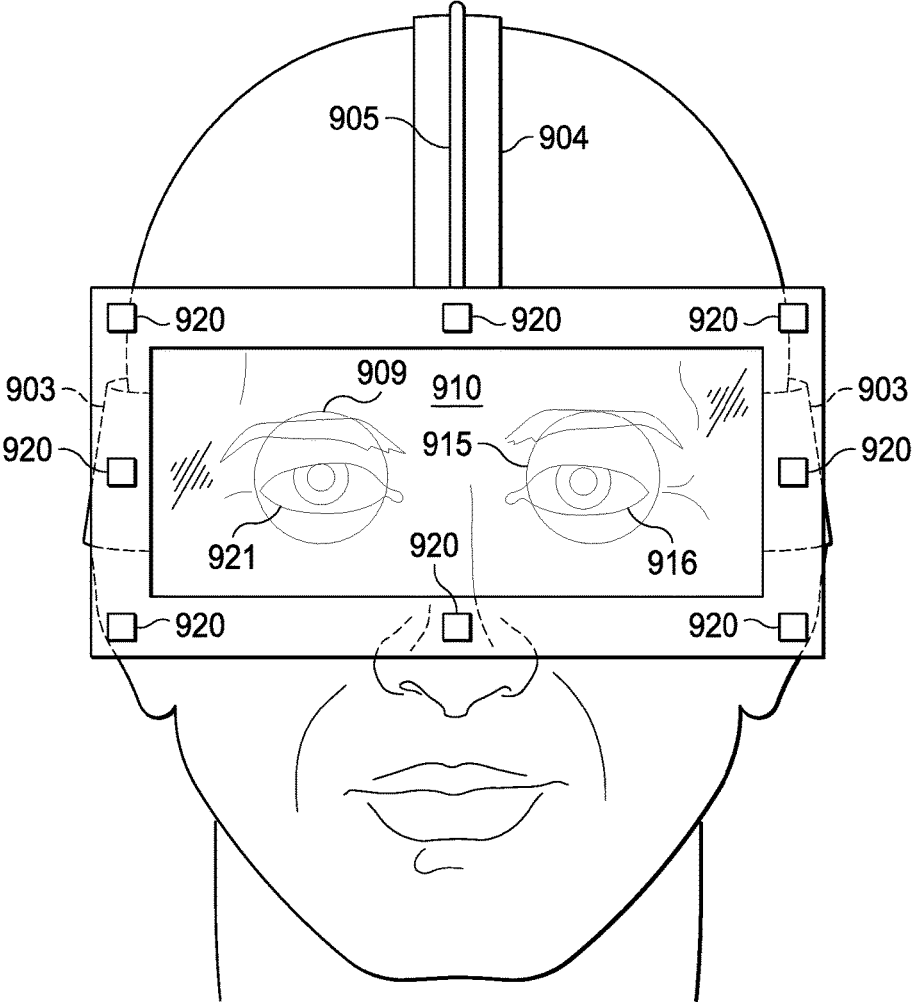


FIG. 9B

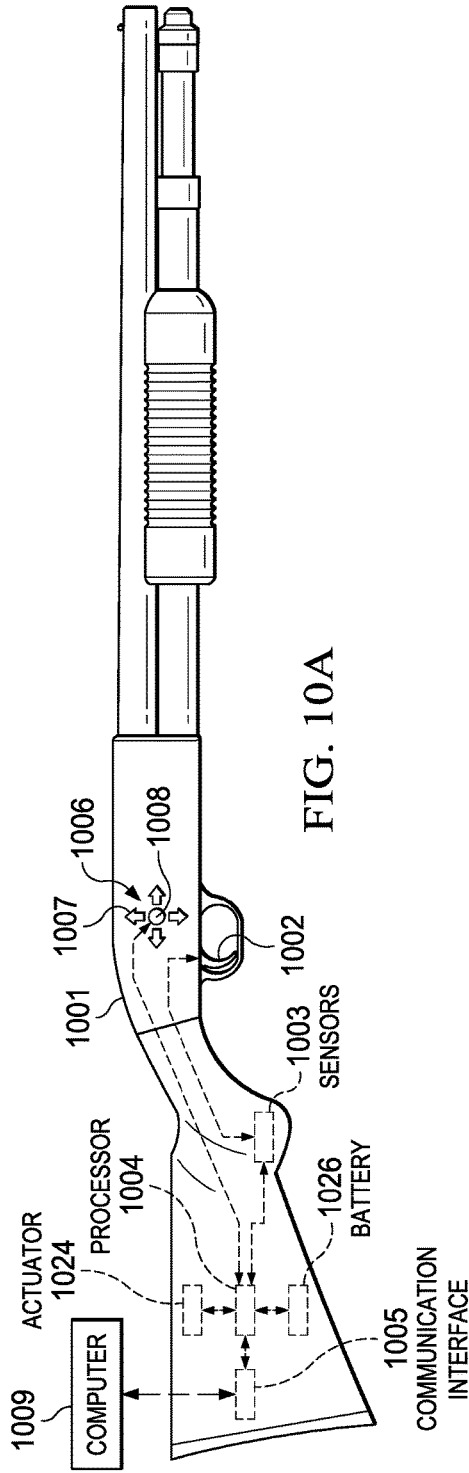


FIG. 10A

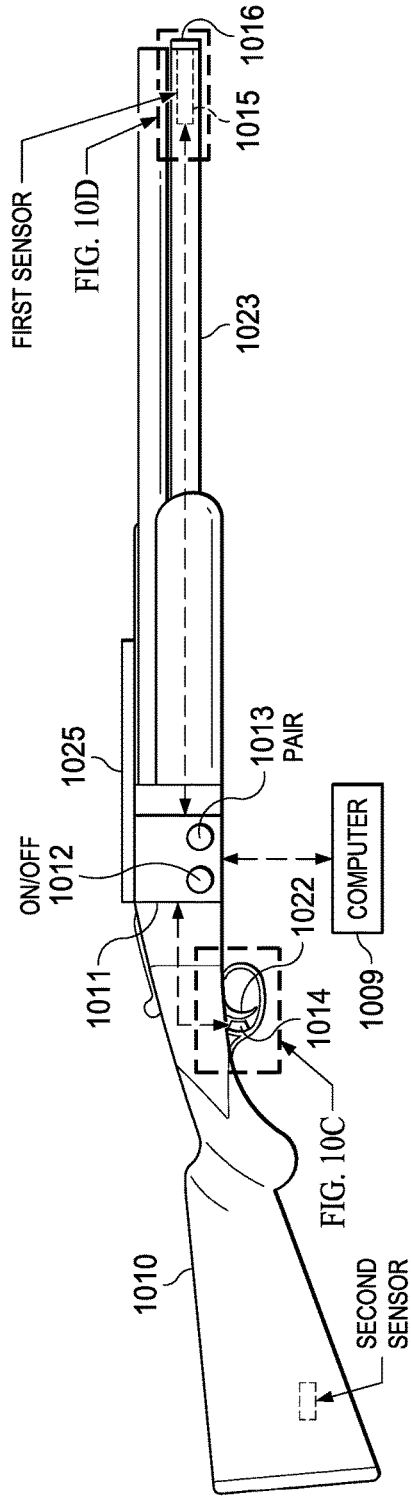


FIG. 10B

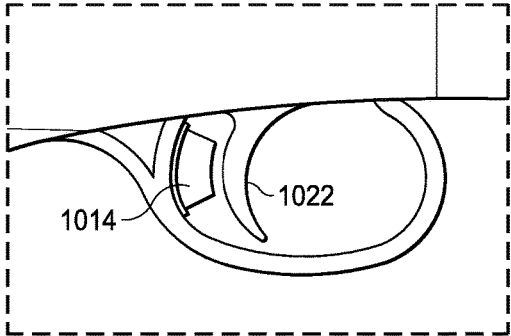


FIG. 10C

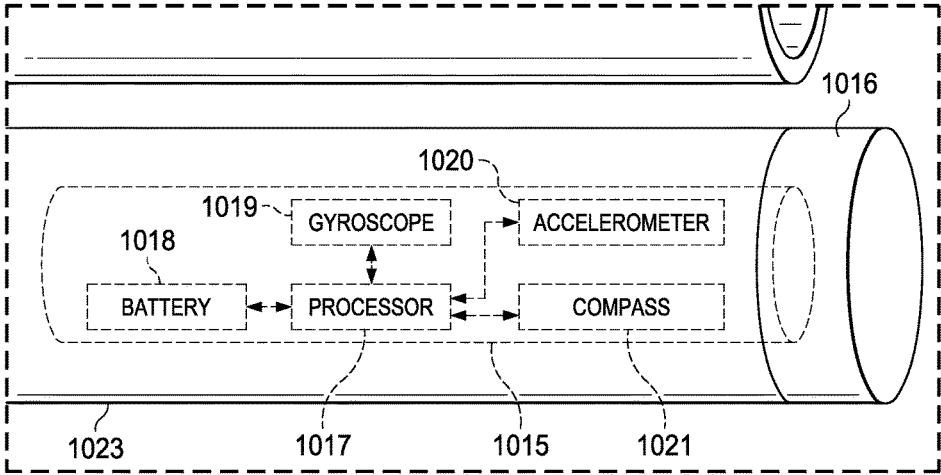


FIG. 10D

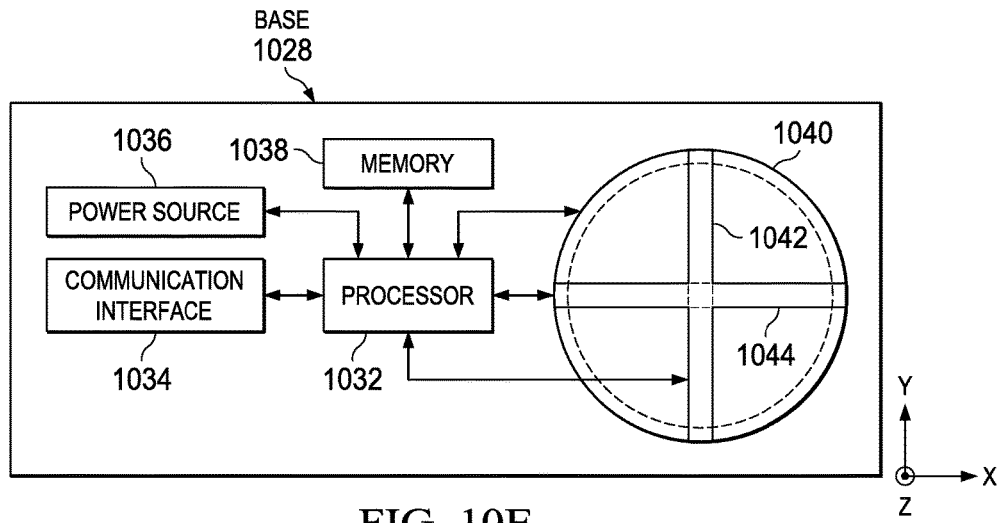


FIG. 10E

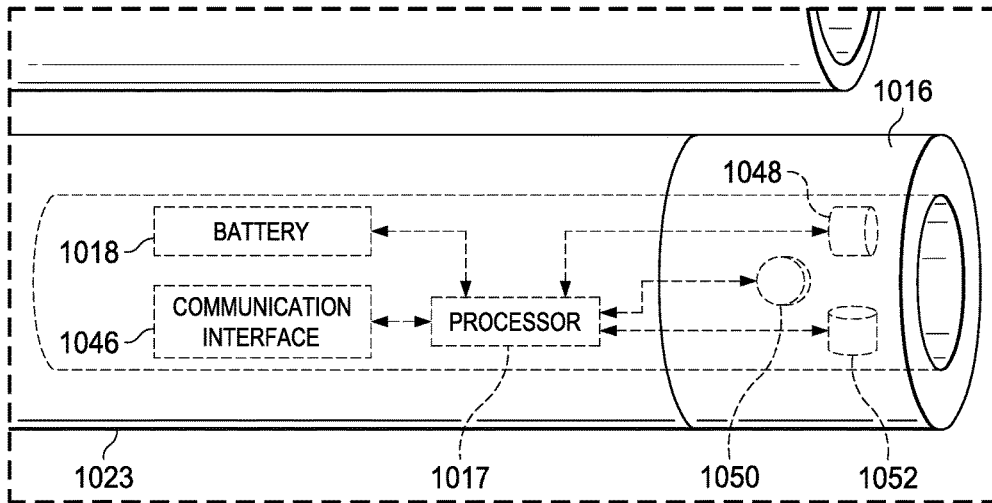
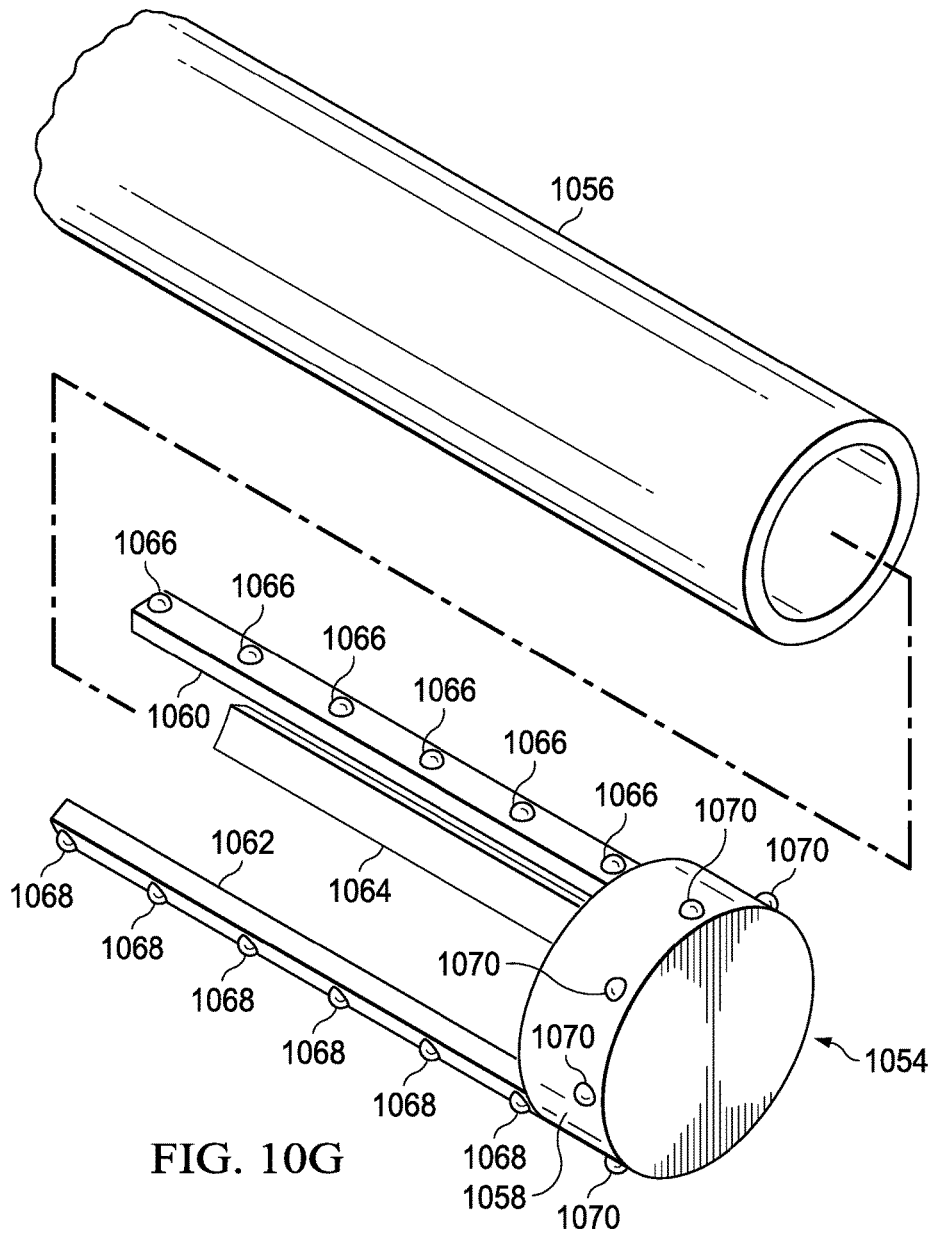


FIG. 10F



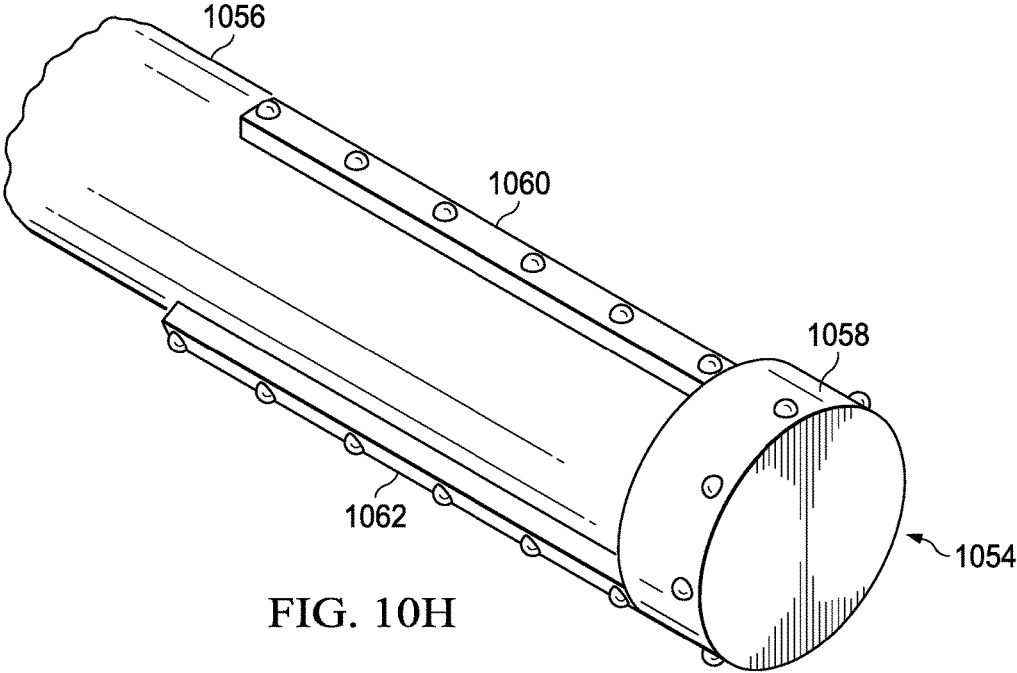
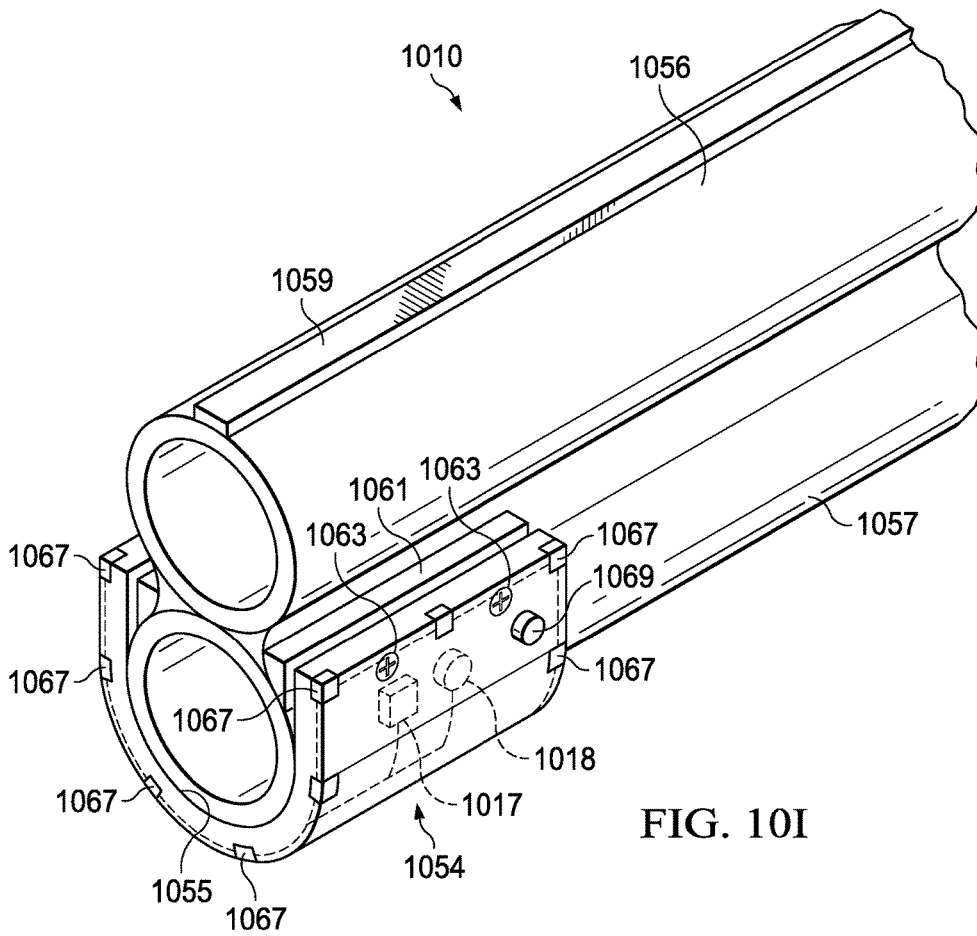
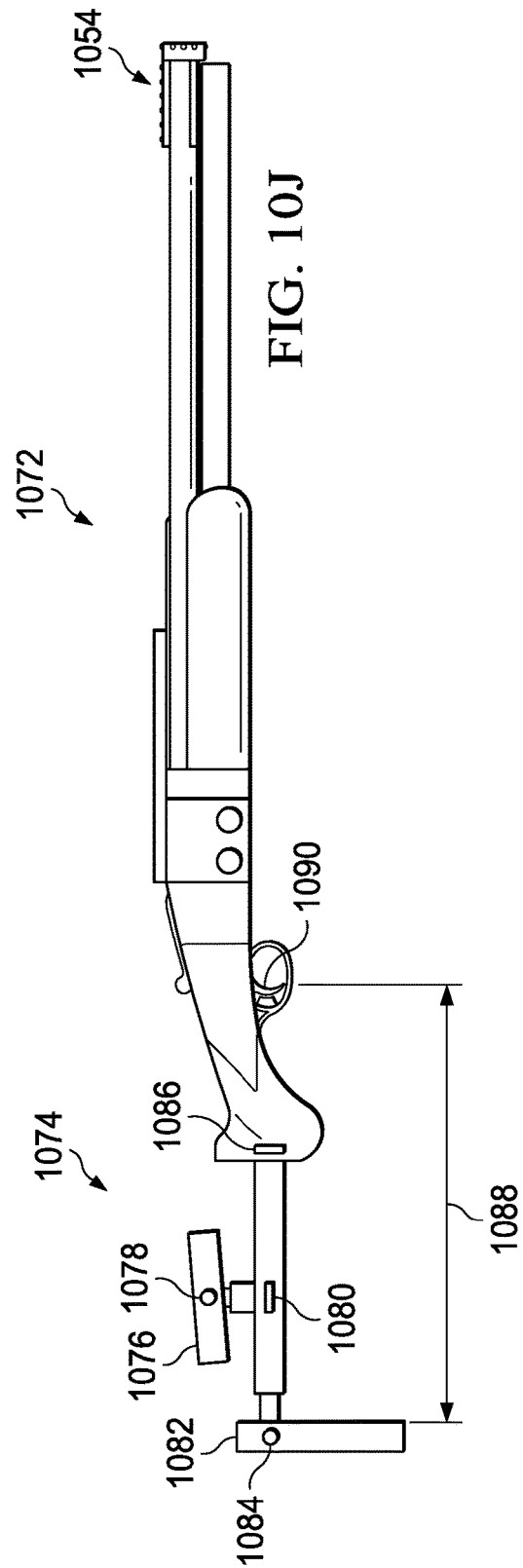


FIG. 10H





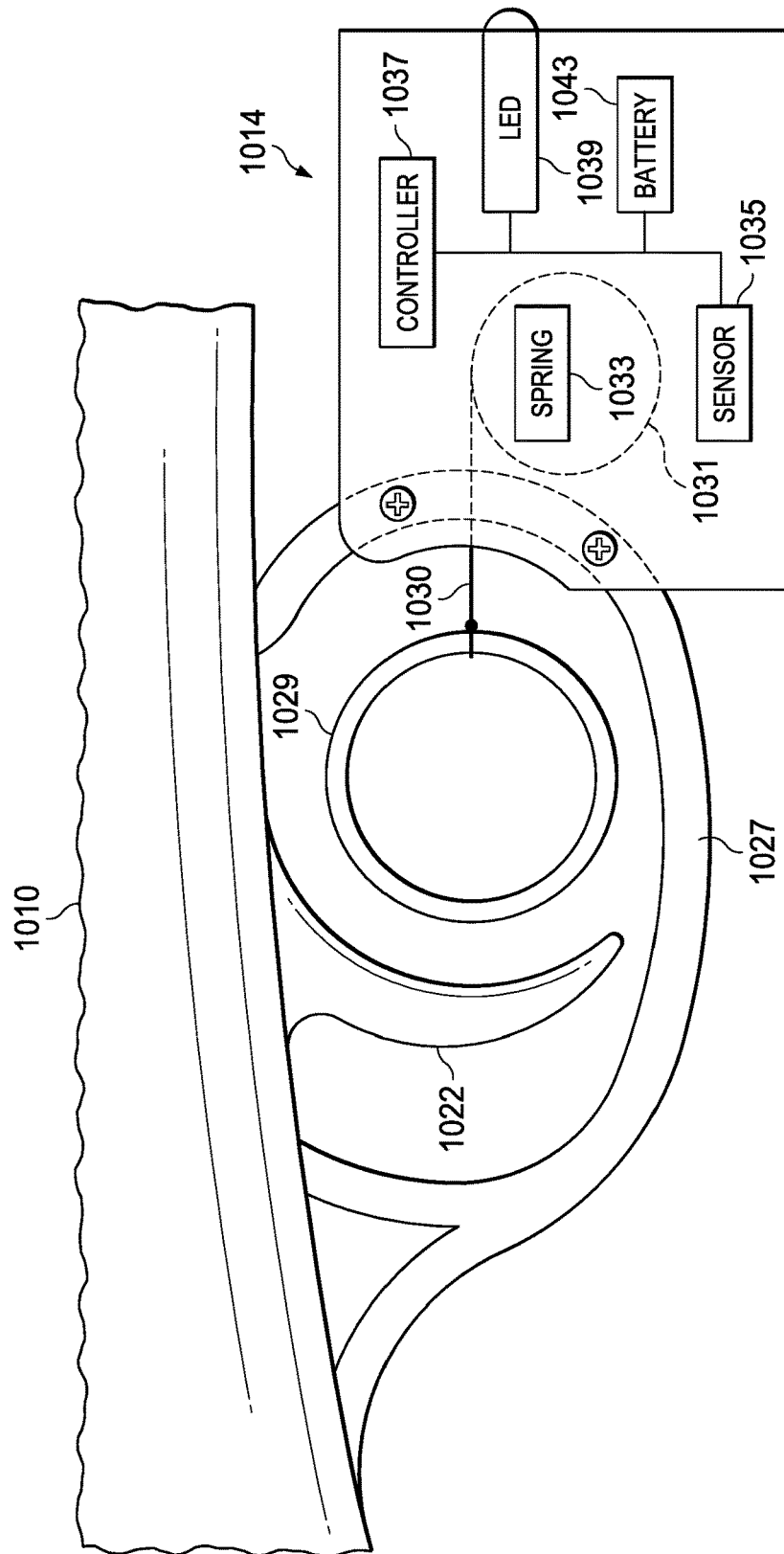


FIG. 10K

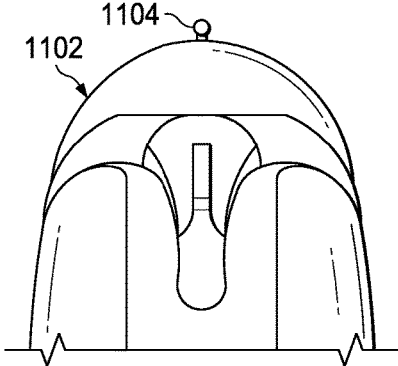


FIG. 11A

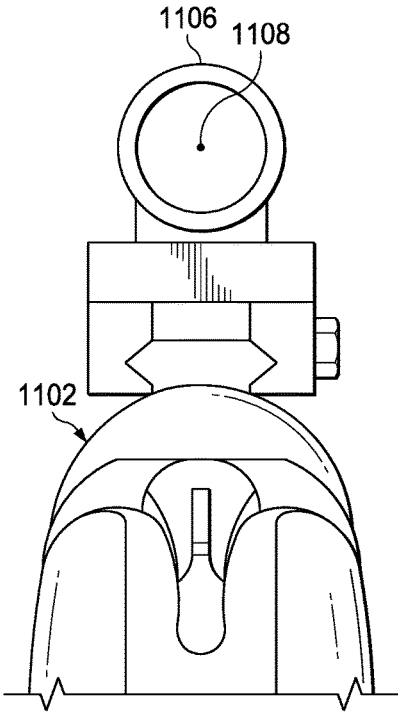


FIG. 11B

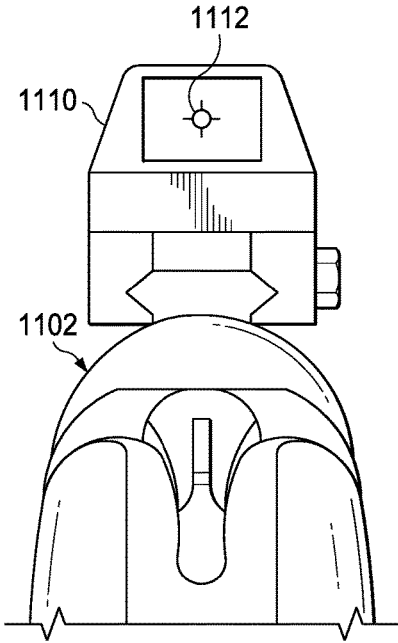


FIG. 11C

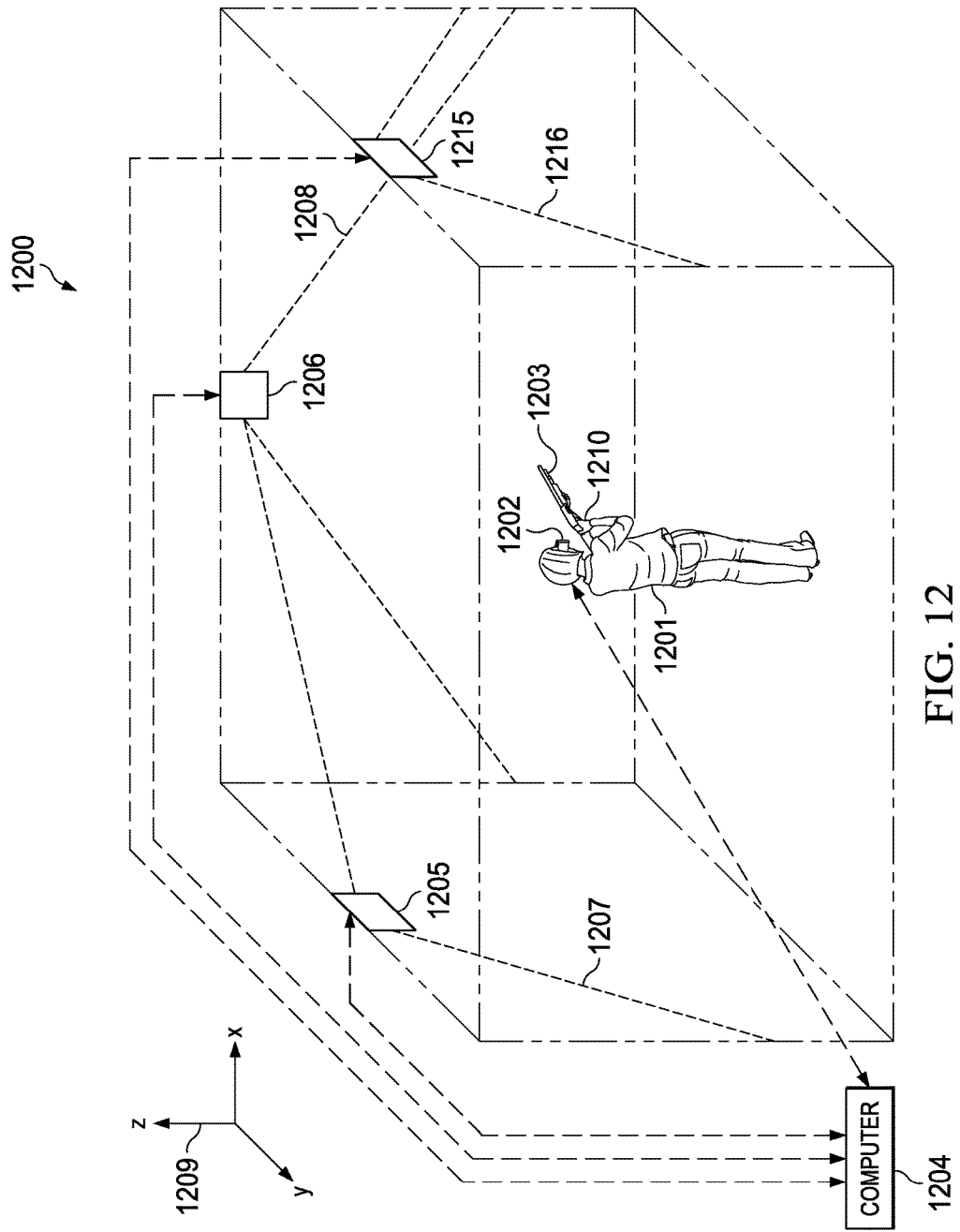


FIG. 12

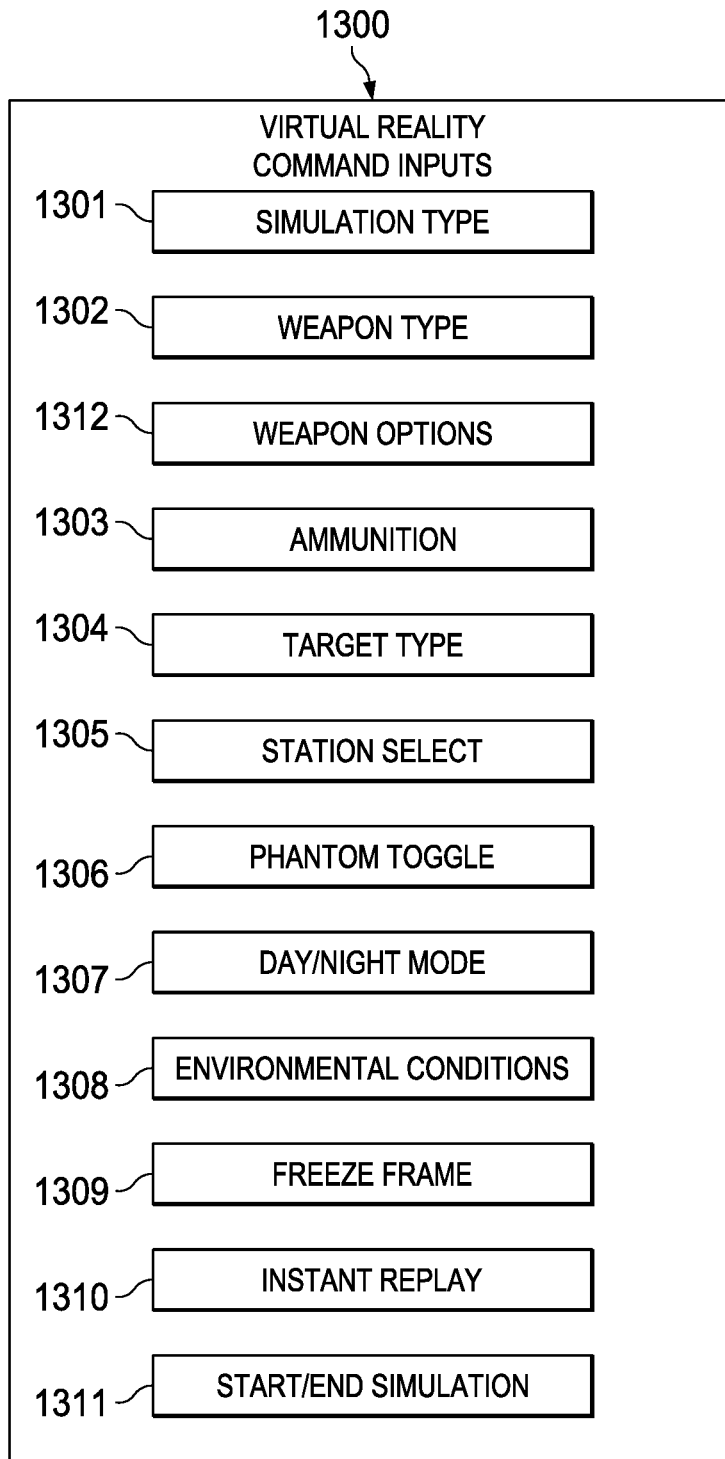


FIG. 13

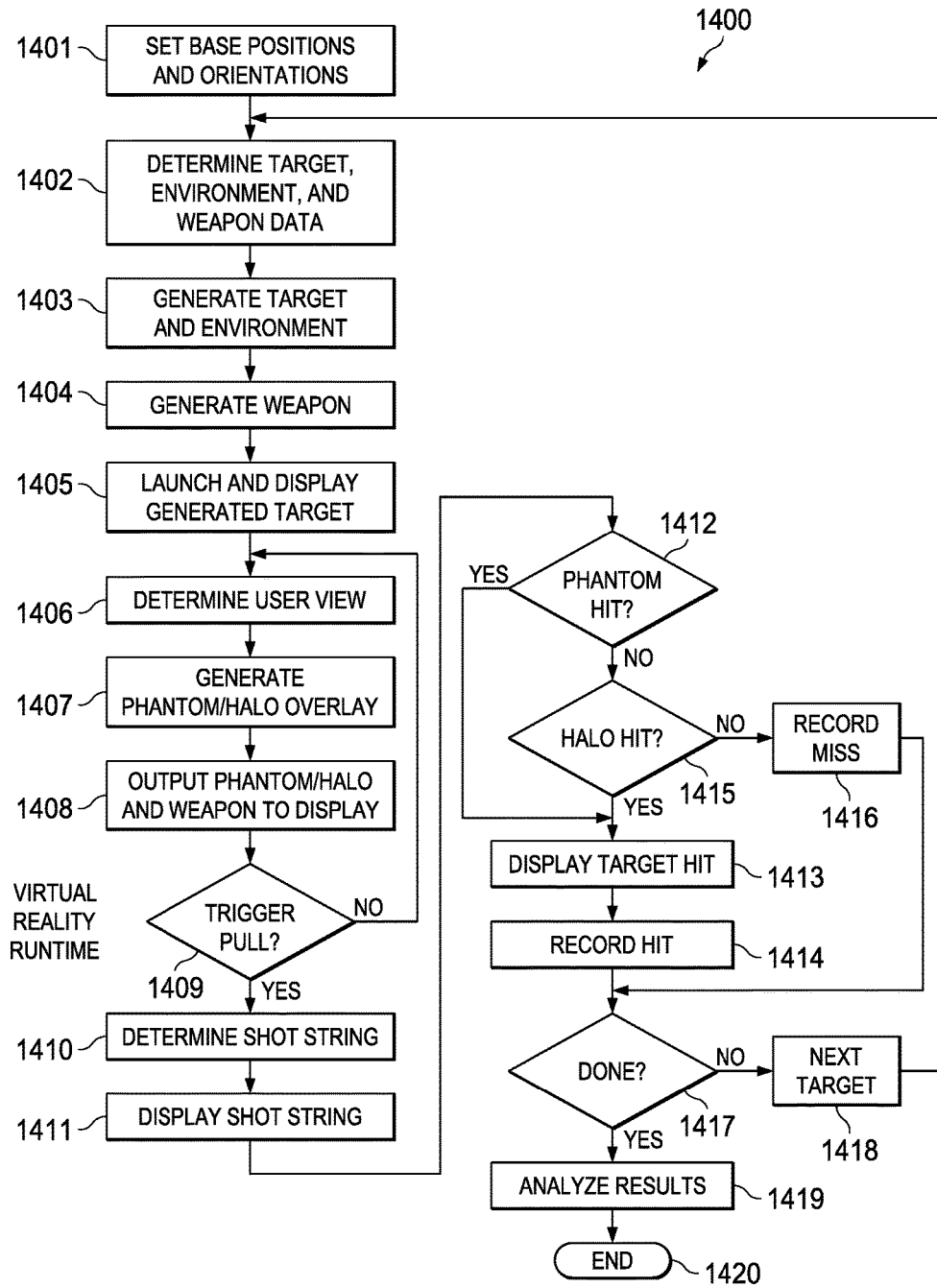


FIG. 14

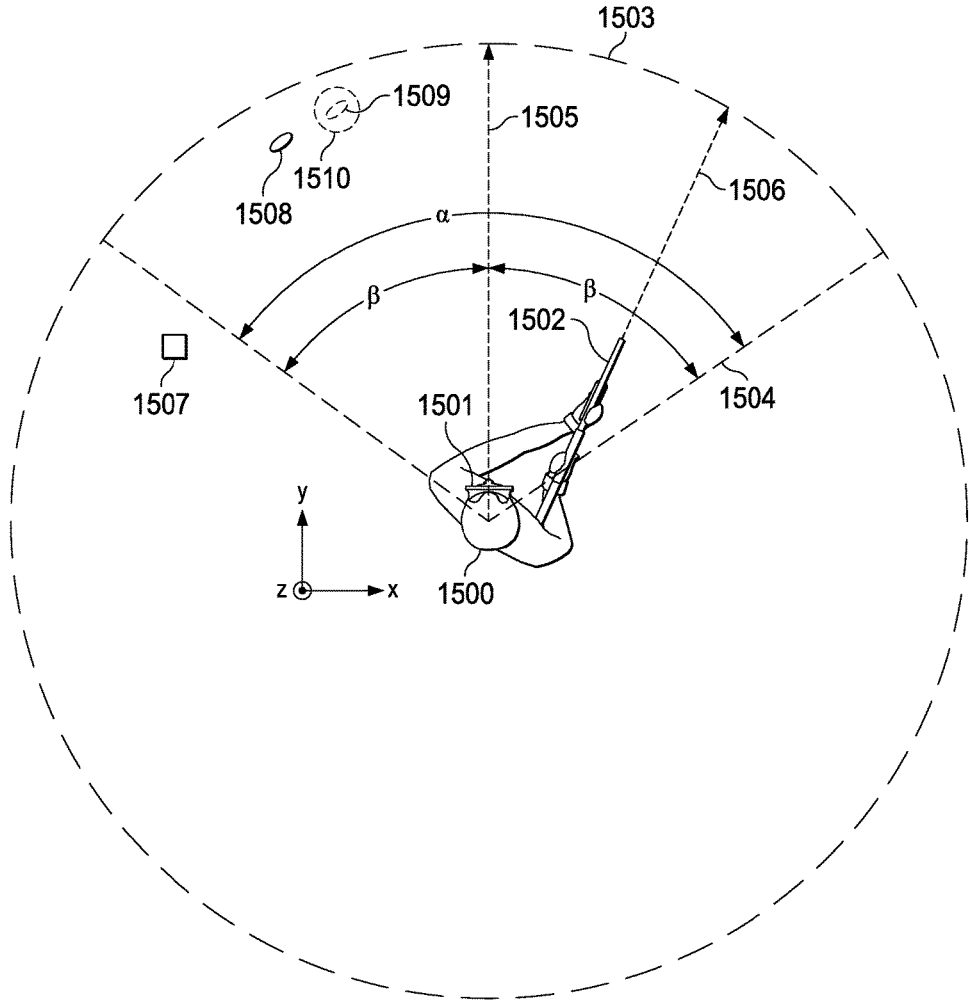


FIG. 15A

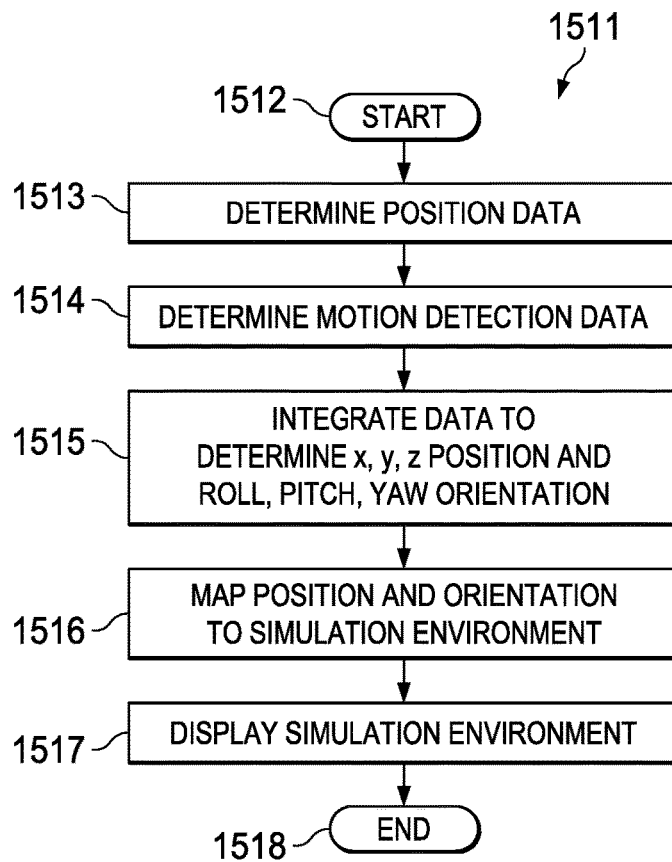


FIG. 15B

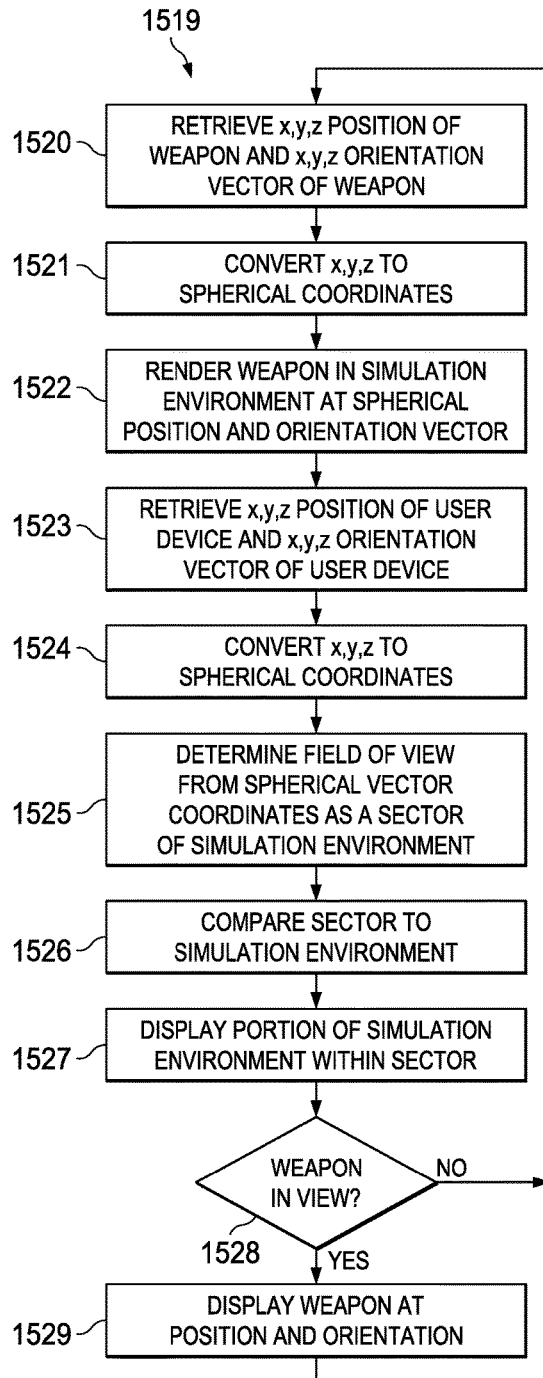


FIG. 15C

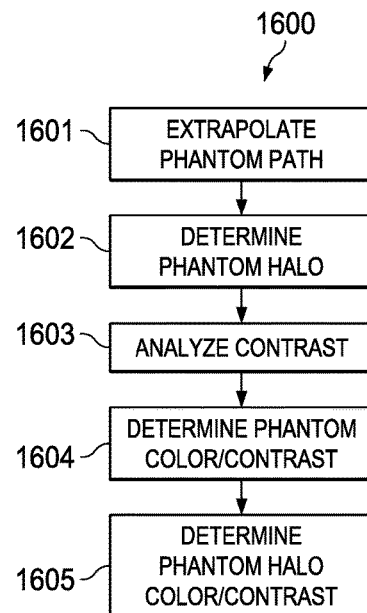


FIG. 16A

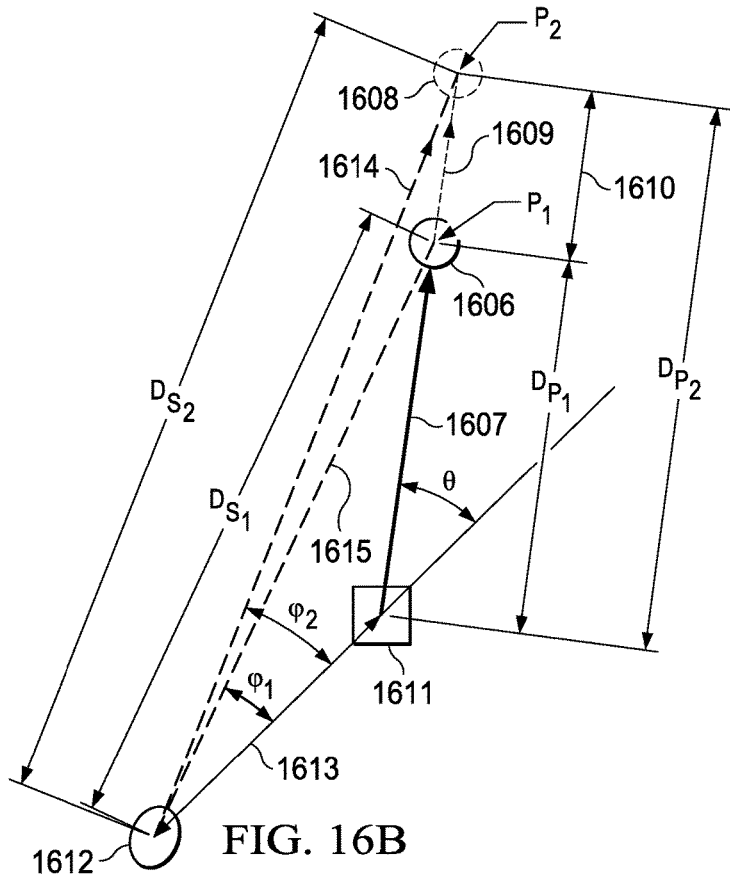


FIG. 16B

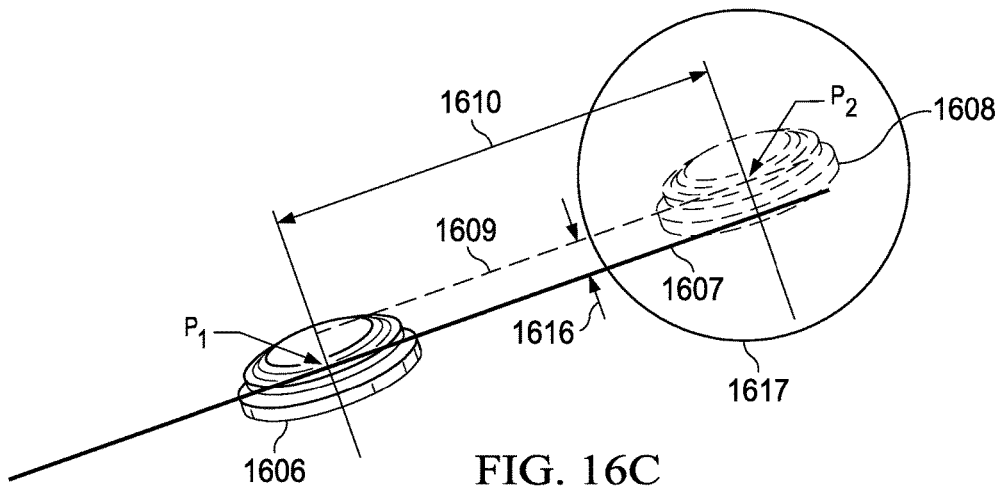


FIG. 16C

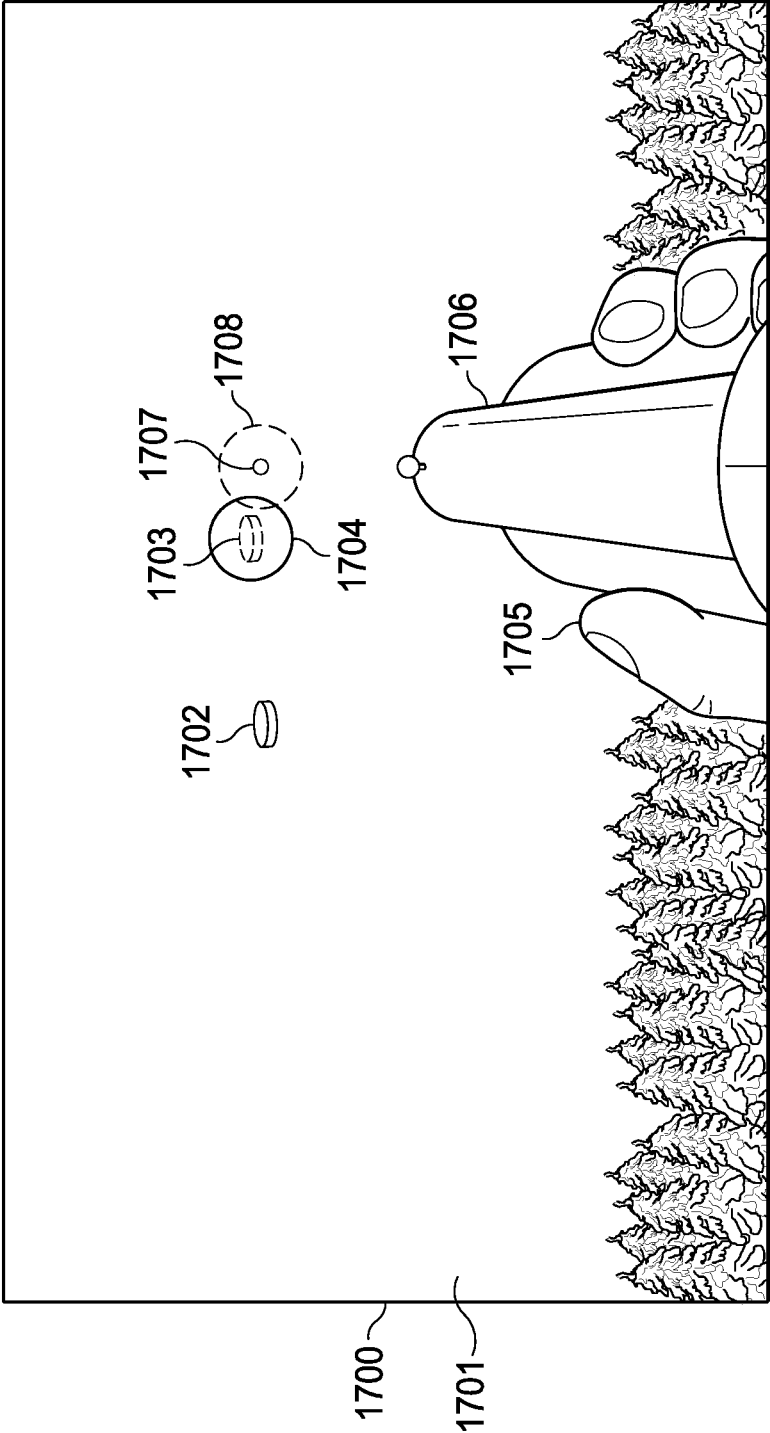


FIG. 17

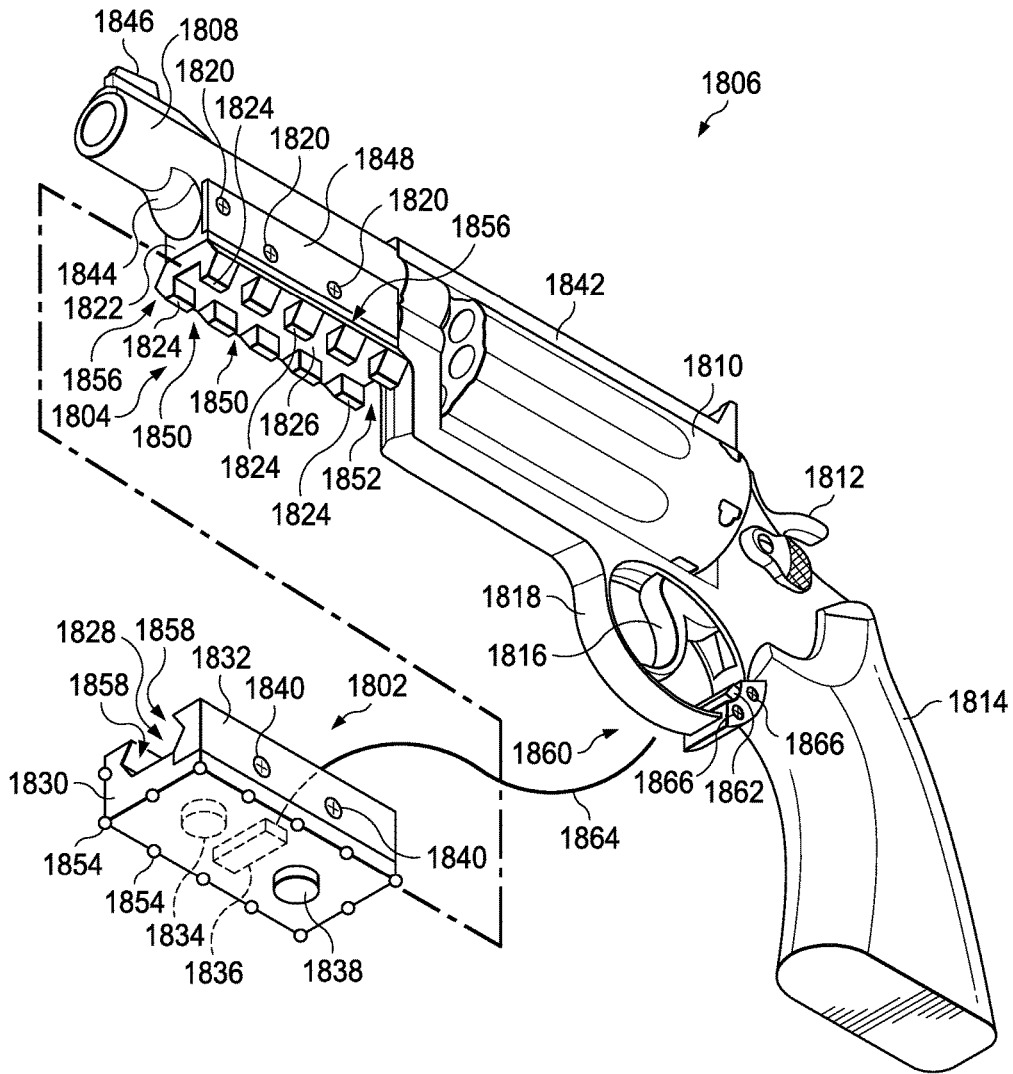


FIG. 18

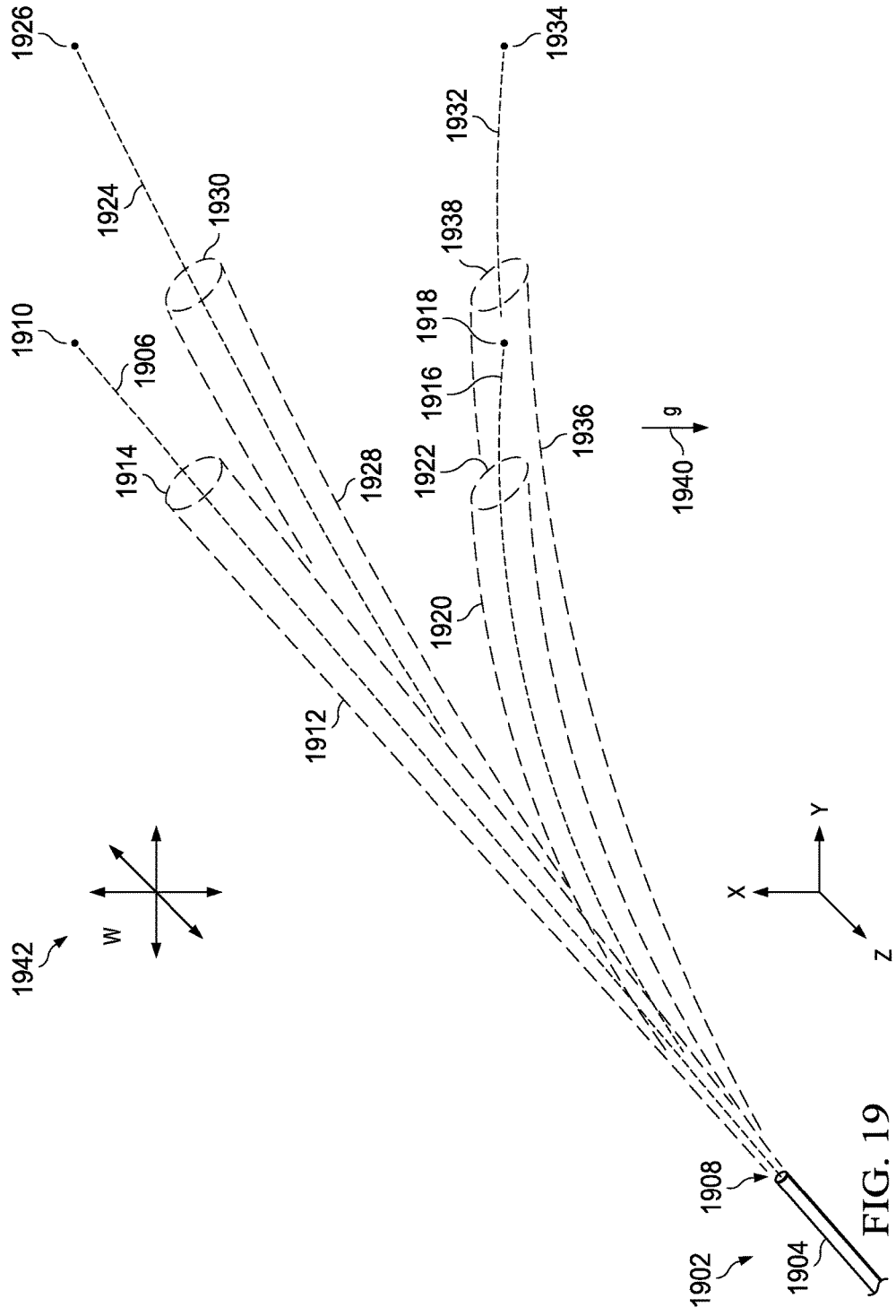


FIG. 19

1

SYSTEM AND METHOD FOR MARKSMANSHIP TRAINING

CROSS REFERENCE TO RELATED APPLICATION

This application is a continuation in part of U.S. patent application Ser. No. 14/686,398 filed Apr. 14, 2015, which is a continuation in part of U.S. patent application Ser. No. 14/149,418 filed Jan. 7, 2014, which is a continuation in part of U.S. patent application Ser. No. 13/890,997 filed May 9, 2013. Each of the patent applications identified above is incorporated herein by reference in its entirety to provide continuity of disclosure.

FIELD OF THE INVENTION

The present invention relates to devices for teaching marksmen how to properly lead a moving target with a weapon. More particularly, the invention relates to optical projection systems to monitor and simulate trap, skeet, and sporting clay shooting.

BACKGROUND OF THE INVENTION

Marksmen typically train and hone their shooting skills by engaging in skeet, trap or sporting clay shooting at a shooting range. The objective for a marksman is to successfully hit a moving target by tracking at various distances and angles and anticipating the delay time between the shot and the impact. In order to hit the moving target, the marksman must aim the weapon ahead of and above the moving target by a distance sufficient to allow a projectile fired from the weapon sufficient time to reach the moving target. The process of aiming the weapon ahead of the moving target is known in the art as "leading the target." "Lead" is defined as the distance between the moving target and the aiming point. The correct lead distance is critical to successfully hit the moving target. Further, the correct lead distance is increasingly important as the distance of the marksman to the moving target increases, the speed of the moving target increases, and the direction of movement becomes more oblique.

FIG. 1 depicts the general dimensions of a skeet shooting range. Skeet shooting range **100** has high house **101** and low house **102** separated by distance **111**. Distance **111** is about 120 feet. Station **103** is adjacent high house **101**. Station **109** is adjacent low house **102**. Station **110** is equidistant from high house **101** and low house **102** at distance **112**. Distance **112** is about 60 feet. Station **106** is equidistant from high house **101** and low house **102** and generally perpendicular to distance **111** at distance **113**. Distance **113** is 45 feet. Station **106** is distance **114** from station **103**. Distance **114** is about 75 feet. Stations **104** and **105** are positioned along arc **121** between stations **103** and **106** at equal arc lengths. Each of arc lengths **122**, **123**, and **124** is about 27 feet. Stations **107** and **108** are positioned along arc **121** between stations **106** and **109** at equal arc lengths. Each of arc lengths **125**, **126**, and **127** is 26 feet, 8 $\frac{3}{8}$ inches.

Target flight path **116** extends from high house **101** to marker **117**. Marker **117** is positioned about 130 feet from high house **101** along target flight path **115**. Target flight path **115** extends from low house **102** to marker **118**. Marker **118** is about 130 feet from low house **102** along target flight path **116**. Target flight paths **115** and **116** intersect at target crossing point **119**. Target crossing point **119** is positioned distance **120** from station **110** and is 15 feet above the

2

ground. Distance **120** is 18 feet. Clay targets are launched from high house **101** and low house **102** along target flight paths **115** and **116**, respectively. Marksman **128** positioned at any of stations **103**, **104**, **105**, **106**, **107**, **108**, **109**, and **110** attempts to shoot and break the launched clay targets.

FIG. 2 depicts the general dimensions of a trap shooting range. Trap shooting range **200** comprises firing lanes **201** and trap house **202**. Stations **203**, **204**, **205**, **206**, and **207** are positioned along radius **214** from center **218** of trap house **202**. Radius **214** is distance **216** from center **218**. Distance **216** is 48 feet. Each of stations **203**, **204**, **205**, **206**, and **207** is positioned at radius **214** at equal arc lengths. Arc length **213** is 9 feet. Stations **208**, **209**, **210**, **211**, and **212** are positioned along radius **215** from center **218**. Radius **215** is distance **217** from center **218**. Distance **217** is 81 feet. Each of stations **208**, **209**, **210**, **211**, and **212** is positioned at radius **215** at equal arc lengths. Arc length **227** is 12 feet. Field **226** has length **221** from center **218** along center line **220** of trap house **202** to point **219**. Length **221** is 150 feet. Boundary line **222** extends 150 feet from center **218** at angle **224** from center line **220**. Boundary line **223** extends 150 feet from center **218** at angle **225** from center line **220**. Angles **224** and **225** are each 22° from center line **220**. Trap house **202** launches clay targets at various trajectories within field **226**. Marksman **228** positioned at any of stations **203**, **204**, **205**, **206**, **207**, **208**, **209**, **210**, **211**, and **212** attempts to shoot and break the launched clay targets.

FIGS. 3A, 3B, 3C, and 3D depict examples of target paths and associated projectile paths illustrating the wide range of lead distances and distances required of the marksman. The term "projectile," as used in this application, means any projectile fired from a weapon but more typically a shotgun round comprised of pellets of various sizes. For example, FIG. 3A shows a left to right trajectory **303** of target **301** and left to right intercept trajectory **304** for projectile **302**. In this example, the intercept path is oblique, requiring the lead to be a greater distance along the positive X axis. FIG. 3B shows a left to right trajectory **307** of target **305** and intercept trajectory **308** for projectile **306**. In this example, the intercept path is acute, requiring the lead to be a lesser distance in the positive X direction. FIG. 3C shows a right to left trajectory **311** of target **309** and intercepting trajectory **312** for projectile **310**. In this example, the intercept path is oblique and requires a greater lead in the negative X direction. FIG. 3D shows a proximal to distal and right to left trajectory **315** of target **313** and intercept trajectory **316** for projectile **314**. In this example, the intercept path is acute and requires a lesser lead in the negative X direction.

FIGS. 4A and 4B depict a range of paths of a clay target and an associated intercept projectile. The most typical projectile used in skeet and trap shooting is a shotgun round, such as a 12 gauge round or a 20 gauge round. When fired, the pellets of the round spread out into a "shot string" having a generally circular cross-section. The cross-section increases as the flight time of the pellets increases. Referring to FIG. 4A, clay target **401** moves along path **402**. Shot string **403** intercepts target **401**. Path **402** is an ideal path, in that no variables are considered that may alter path **402** of clay target **401** once clay target **401** is launched.

Referring to FIG. 4B, path range **404** depicts a range of potential flight paths for a clay target after being released on a shooting range. The flight path of the clay target is affected by several variables. Variables include mass, wind, drag, lift force, altitude, humidity, and temperature, resulting in a range of probable flight paths, path range **404**. Path range **404** has upper limit **405** and lower limit **406**. Path range **404** from launch angle θ is extrapolated using:

$$x=x_o+v_{x_o}t+1/2a_x t^2+C_x \tag{Eq. 1}$$

$$y=y_o+v_{y_o}t+1/2a_y t^2+C_y \tag{Eq. 2}$$

where x is the clay position along the x-axis, x_o is the initial position of the clay target along the x-axis, v_{x_o} is the initial velocity along the x-axis, a_x is the acceleration along the x-axis, t is time, and C_x is the drag and lift variable along the x-axis, y is the clay position along the y-axis, y_o is the initial position of the clay target along the y-axis, v_{y_o} is the initial velocity along the y-axis, a_y is the acceleration along the y-axis, t is time, and C_y is the drag and lift variable along the x-axis. Upper limit 405 is a maximum distance along the x-axis with C_x at a maximum and a maximum along the y-axis with C_y at a maximum. Lower limit 406 is a minimum distance along the x-axis with C_x at a minimum and a minimum along the y-axis with C_y at a minimum. Drag and lift are given by:

$$F_{drag}=1/2\rho v^2 C_D A \tag{Eq. 3}$$

where F_{drag} is the drag force, ρ is the density of the air, v is v_o, A is the cross-sectional area, and C_D is the drag coefficient;

$$F_{lift}=1/2\rho v^2 C_L A \tag{Eq. 4}$$

where F_{lift} is the lift force, ρ is the density of the air, v is v_o, A is the planform area, and C_L is the lift coefficient.

Referring to FIG. 5, an example of lead from the perspective of the marksman is described. Marksman 501 aims weapon 502 at clay target 503 moving along path 504 left to right. In order to hit target 503, marksman 501 must anticipate the time delay for a projectile fired from weapon 502 to intercept clay target 503 by aiming weapon 502 ahead of clay target 503 at aim point 505. Aim point 505 is lead distance 506 ahead of clay target 503 along path 504. Marksman 501 must anticipate and adjust aim point 505 according to a best guess at the anticipated path of the target.

Clay target 503 has initial trajectory angles γ and β, positional coordinates x₁, y₁ and a velocity v₁. Aim point 505 has coordinates x₂, y₂. Lead distance 506 has x-component 507 and y-component 508. X-component 507 and y-component 508 are calculated by:

$$\Delta x=x_2-x_1 \tag{Eq. 5}$$

$$\Delta y=y_2-y_1 \tag{Eq. 6}$$

where Δx is x component 507 and Δy is y component 508. As γ increases, Δy must increase. As β increases, Δx must increase. As β increases, Δy must increase.

The prior art has attempted to address the problems of teaching proper lead distance with limited success. For example, U.S. Pat. No. 3,748,751 to Breglia, et al. discloses a laser, automatic fire weapon simulator. The simulator includes a display screen, a projector for projecting a motion picture on the display screen. A housing attaches to the barrel of the weapon. A camera with a narrow band-pass filter positioned to view the display screen detects and records the laser light and the target shown on the display screen. However, the simulator requires the marksman to aim at an invisible object, thereby making the learning process of leading a target difficult and time-consuming.

U.S. Pat. No. 3,940,204 to Yokoi discloses a clay shooting simulation system. The system includes a screen, a first projector providing a visible mark on the screen, a second projector providing an infrared mark on the screen, a mirror adapted to reflect the visible mark and the infrared mark to the screen, and a mechanical apparatus for moving the mirror in three dimensions to move the two marks on the

screen such that the infrared mark leads the visible mark to simulate a lead-sighting point in actual clay shooting. A light receiver receives the reflected infrared light. However, the system in Yokoi requires a complex mechanical device to project and move the target on the screen, which leads to frequent failure and increased maintenance.

U.S. Pat. No. 3,945,133 to Mohon, et al. discloses a weapons training simulator utilizing polarized light. The simulator includes a screen and a projector projecting a two-layer film. The two-layer film is formed of a normal film and a polarized film. The normal film shows a background scene with a target with non-polarized light. The polarized film shows a leading target with polarized light. The polarized film is layered on top of the normal non-polarized film. A polarized light sensor is mounted on the barrel of a gun. However, the weapons training simulator requires two cameras and two types of film to produce the two-layered film making the simulator expensive and time-consuming to build and operate.

U.S. Pat. No. 5,194,006 to Zaenglein, Jr. discloses a shooting simulator. The simulator includes a screen, a projector for displaying a moving target image on the screen, and a weapon connected to the projector. When a marksman pulls the trigger a beam of infrared light is emitted from the weapon. A delay is introduced between the time the trigger is pulled and the beam is emitted. An infrared light sensor detects the beam of infrared light. However, the training device in Zaenglein, Jr. requires the marksman to aim at an invisible object, thereby making the learning process of leading a target difficult and time-consuming.

U.S. Patent Publication No. 2010/0201620 to Sargent discloses a firearm training system for moving targets. The system includes a firearm, two cameras mounted on the firearm, a processor, and a display. The two cameras capture a set of stereo images of the moving target along the moving target's path when the trigger is pulled. However, the system requires the marksman to aim at an invisible object, thereby making the learning process of leading a target difficult and time-consuming. Further, the system requires two cameras mounted on the firearm making the firearm heavy and difficult to manipulate leading to inaccurate aiming and firing by the marksman when firing live ammunition without the mounted cameras.

The prior art fails to disclose or suggest a system and method for simulating a lead for a moving target using generated images of targets projected at the same scale as viewed in the field and a phantom target positioned ahead of the targets having a variable contrast. The prior art further fails to disclose or suggest a system and method for simulating lead in a virtual reality system. Therefore, there is a need in the art for a shooting simulator that recreates moving targets at the same visual scale as seen in the field with a phantom target to teach proper lead of a moving target in a virtual reality platform.

SUMMARY

A system and method for simulating lead of a target includes a network, a simulation administrator connected to the network, a database connected to the simulation administrator, and a user device connected to the network. The user device includes a set of virtual reality unit, and a computer connected to the virtual reality unit and to the network. A set of position trackers are connected to the computer.

In a preferred embodiment, a target is simulated. In one embodiment, a simulated weapon is provided. In another embodiment, a set of sensors is attached to a real weapon. In

another embodiment, a set of gloves having a set of sensors is worn by a user. The system generates a simulated target and displays the simulated target upon launch of the generated target. The computer tracks the position of the generated target and the position of the virtual reality unit and the weapon to generate a phantom target and a phantom halo. The generated phantom target and the generated phantom halo are displayed on the virtual reality unit at a lead distance and a drop distance from the live target as viewed through the virtual reality unit. The computer determines a hit or a miss of the generated target using the weapon, the phantom target, and the phantom halo. In one embodiment, the disclosed system and method is implemented in a two-dimensional video game.

The present disclosure provides a system which embodies significantly more than an abstract idea including technical advancements in the field of data processing and a transformation of data which is directly related to real world objects and situations. The disclosed embodiments create and transform imagery in hardware, for example, a weapon peripheral and a sensor attachment to a real weapon.

BRIEF DESCRIPTION OF THE DRAWINGS

The disclosed embodiments will be described with reference to the accompanying drawings.

FIG. 1 is a plan view of a skeet shooting range.

FIG. 2 is a plan view of a trap shooting range.

FIG. 3A is a target path and an associated projectile path.

FIG. 3B is a target path and an associated projectile path.

FIG. 3C is a target path and an associated projectile path.

FIG. 3D is a target path and an associated projectile path.

FIG. 4A is an ideal path of a moving target.

FIG. 4B is a range of probable flight paths of a target.

FIG. 5 is a perspective view of a marksman aiming at a moving target.

FIG. 6 is a schematic of a simulator system of a preferred embodiment.

FIG. 7 is a schematic of a simulation administrator of a preferred embodiment.

FIG. 8 is a schematic of a user device of a simulator system of a preferred embodiment.

FIG. 9A is a side view of a user device of a virtual reality simulator system of a preferred embodiment.

FIG. 9B is a front view of a user device of a virtual reality simulator system of a preferred embodiment.

FIG. 10A is a side view of a simulated weapon for a virtual reality system of a preferred embodiment.

FIG. 10B is a side view of a real weapon with a set of sensors attached for a virtual reality system of a preferred embodiment.

FIG. 10C is a detail view of a trigger sensor of a preferred embodiment.

FIG. 10D is a detail view of a set of muzzle sensors of a preferred embodiment.

FIG. 10E is a detail view of a set of a transmitter base of a preferred embodiment.

FIG. 10F is a detail view of a set of muzzle sensors used with the transmitter base of FIG. 10E of a preferred embodiment.

FIG. 10G is a detail view of a removable plug with light emitting diodes for a weapon of a preferred embodiment.

FIG. 10H is a detail view of a removable plug with light emitting diodes attached to a weapon of a preferred embodiment.

FIG. 10I is a detail view of a removable collar with light emitting diodes attached to a weapon of a preferred embodiment.

FIG. 10J is a side view of a weapon with an adjustable stock for a virtual reality simulator system of a preferred embodiment.

FIG. 10K is a detail view of a trigger sensor of a preferred embodiment.

FIG. 11A is a simulation view of a weapon having an iron sight of a preferred embodiment.

FIG. 11B is a simulation view of a weapon having a reflex sight of a preferred embodiment.

FIG. 11C is a simulation view of a weapon having a holographic sight of a preferred embodiment.

FIG. 12 is a schematic view of a virtual reality simulation environment of a preferred embodiment.

FIG. 13 is a command input menu for a virtual reality simulator system of a preferred embodiment.

FIG. 14 is a flow chart of a method for runtime process of a virtual reality simulation system of a preferred embodiment.

FIG. 15A is top view of a user and a simulation environment of a preferred embodiment.

FIG. 15B is a flow chart of a method for determining a view for a user device with respect to a position and an orientation of the user device and the weapon.

FIG. 15C is a flow chart of a method for mapping the position and orientation of the user device and the weapon to the simulation environment for determining a display field of view a preferred embodiment.

FIG. 16A is a flowchart of a method for determining a phantom and halo of a preferred embodiment.

FIG. 16B is a plan view of a target and a phantom of a preferred embodiment.

FIG. 16C is an isometric view of a target and a phantom of a preferred embodiment.

FIG. 17 is a user point of view of a virtual reality simulation system of a preferred embodiment.

FIG. 18 is an isometric view of an input device configured to be mounted on a rail system of a weapon of a preferred embodiment.

FIG. 19 is a simulation view that shows beams being projected from a barrel of a weapon of a preferred embodiment.

DETAILED DESCRIPTION

It will be appreciated by those skilled in the art that aspects of the present disclosure may be illustrated and described herein in any of a number of patentable classes or context including any new and useful process, machine, manufacture, or composition of matter, or any new and useful improvement thereof. Therefore, aspects of the present disclosure may be implemented entirely in hardware, entirely in software (including firmware, resident software, micro-code, etc.) or combining software and hardware implementation that may all generally be referred to herein as a "circuit," "module," "component," or "system." Further, aspects of the present disclosure may take the form of a computer program product embodied in one or more computer readable media having computer readable program code embodied thereon.

Any combination of one or more computer readable media may be utilized. The computer readable media may be a computer readable signal medium or a computer readable storage medium. For example, a computer readable storage medium may be, but not limited to, an electronic, magnetic,

optical, electromagnetic, or semiconductor system, apparatus, or device, or any suitable combination of the foregoing. More specific examples of the computer readable storage medium would include, but are not limited to: a portable computer diskette, a hard disk, a random access memory (“RAM”), a read-only memory (“ROM”), an erasable programmable read-only memory (“EPROM” or Flash memory), an appropriate optical fiber with a repeater, a portable compact disc read-only memory (“CD-ROM”), an optical storage device, a magnetic storage device, or any suitable combination of the foregoing. Thus, a computer readable storage medium may be any tangible medium that can contain, or store a program for use by or in connection with an instruction execution system, apparatus, or device.

A computer readable signal medium may include a propagated data signal with computer readable program code embodied therein, for example, in baseband or as part of a carrier wave. The propagated data signal may take any of a variety of forms, including, but not limited to, electromagnetic, optical, or any suitable combination thereof. A computer readable signal medium may be any computer readable medium that is not a computer readable storage medium and that can communicate, propagate, or transport a program for use by or in connection with an instruction execution system, apparatus, or device. Program code embodied on a computer readable signal medium may be transmitted using any appropriate medium, including but not limited to wireless, wireline, optical fiber cable, RF, or any suitable combination thereof.

Computer program code for carrying out operations for aspects of the present disclosure may be written in any combination of one or more programming languages, including an object oriented programming language such as Java, Scala, Smalltalk, Eiffel, JADE, Emerald, C++, C#, VB.NET, Python or the like, conventional procedural programming languages, such as the “C” programming language, Visual Basic, Fortran 2003, Perl, COBOL 2002, PHP, ABAP, dynamic programming languages such as Python, Ruby and Groovy, or other programming languages.

Aspects of the present disclosure are described with reference to flowchart illustrations and/or block diagrams of methods, systems and computer program products according to embodiments of the disclosure. It will be understood that each block of the flowchart illustrations and/or block diagrams, and combinations of blocks in the flowchart illustrations and/or block diagrams, can be implemented by computer program instructions. These computer program instructions may be provided to a processor of a general purpose computer, special purpose computer, or other programmable data processing apparatus to produce a machine, such that the instructions, which execute via the processor of the computer or other programmable instruction execution apparatus, create a mechanism for implementing the functions/acts specified in the flowchart and/or block diagram block or blocks.

These computer program instructions may also be stored in a computer readable medium that when executed can direct a computer, other programmable data processing apparatus, or other devices to function in a particular manner, such that the instructions when stored in the computer readable medium produce an article of manufacture including instructions which when executed, cause a computer to implement the function/act specified in the flowchart and/or block diagram block or blocks. The computer program instructions may also be loaded onto a computer, other programmable instruction execution apparatus, or other devices to cause a series of operational steps to be performed

on the computer, other programmable apparatuses or other devices to produce a computer implemented process such that the instructions which execute on the computer or other programmable apparatus provide processes for implementing the functions/acts specified in the flowchart and/or block diagram block or blocks.

Referring to FIG. 6, system 600 includes network 601, simulation administrator 602 connected to network 601, and user device 604 connected to network 601. System administrator 602 is further connected to simulation database 603 for storage of relevant data. For example, data includes a set of target data, a set of weapon data, and a set of environment data.

In one embodiment, network 601 is a local area network. In another embodiment, network 601 is a wide area network, such as the internet. In other embodiments, network 601 includes a combination of wide area networks and local area networks, includes cellular networks.

In a preferred embodiment, user device 604 communicates with simulation administrator 602 to access database 603 to generate and project a simulation that includes a target, a phantom, and a phantom halo adjacent to the target as will be further described below.

In another embodiment, simulation administrator 602 generates a simulation that includes a target, a phantom, a phantom halo adjacent to the target, and a weapon image as will be further described below and sends the simulation to user device for projection.

Referring to FIG. 7, simulation administrator 701 includes processor 702, network interface 703 connected to processor 702, and memory 704 connected to processor 702. Simulation application 705 is stored in memory 704 and executed by processor 702. Simulation application 705 includes position application 706, statistics engine 707, and target and phantom generator 708.

In a preferred embodiment, simulation administrator 701 is a PowerEdge C6100 server and includes a PowerEdge C410x PCIe Expansion Chassis available from Dell Inc. Other suitable servers, server arrangements, and computing devices known in the art may be employed.

In one embodiment, position application 706 communicates with a position tracker connected to the user device to detect the position of the user device for simulation application 705. Statistics engine 707 communicates with a database to retrieve relevant data and generate renderings according desired simulation criteria, such as desired weapons, environments, and target types for simulation application 705. Target and phantom generator 708 calculates and generates a target along a target path, a phantom target, and a phantom halo for the desired target along a phantom path for simulation application, as will be further described below.

Referring to FIG. 8, user device 800 includes computer 801 connected to headset 802. Computer 801 is further connected to replaceable battery 803, microphone 804, speaker 805, and position tracker 806.

Computer 801 includes processor 807, memory 809 connected to processor 807, and network interface 808 connected to processor 807. Simulation application 810 is stored in memory 809 and executed by processor 807. Simulation application 810 includes position application 811, statistics engine 812, and target and phantom generator 813. In a preferred embodiment, position application 811 communicates with position tracker 806 to detect the position of headset 802 for simulation application 810. Statistics engine 812 communicates with a database to retrieve relevant data and generate renderings according desired simu-

lation criteria, such as desired weapons, environments, and target types for simulation application **810**. Target and phantom generator **813** calculates and generates a target along a target path, a phantom target, and a phantom halo for the desired target along a phantom path for simulation application **810**, as will be further described below.

Input device **814** is connected to computer **801**. Input device **814** includes processor **815**, memory **816** connected to processor **815**, communication interface **817** connected to processor **815**, a set of sensors **818** connected to processor **816**, and a set of controls **819** connected to processor **815**.

In one embodiment, input device **814** is a simulated weapon, such as a shot gun, a rifle, or a handgun. In another embodiment, input device **814** is a set of sensors connected to a disabled real weapon, such as a shot gun, a rifle, or a handgun, to detect movement and actions of the real weapon. In another embodiment, input device **814** is a glove having a set of sensors worn by a user to detect positions and movements of a hand of a user.

Headset **802** includes processor **820**, battery **821** connected to processor **820**, memory **822** connected to processor **820**, communication interface **823** connected to processor **820**, display unit **824** connected to processor **820**, and a set of sensors **825** connected to processor **820**.

Referring to FIGS. 9A and 9B, a preferred implementation of user device **800** is described as user device **900**. User **901** wears virtual reality unit **902** having straps **903** and **904**. Virtual reality unit **902** is connected to computer **906** via connection **905**. Computer **906** is preferably a portable computing device, such as a laptop or tablet computer, worn by user **901**. In other embodiments, computer **906** is a desktop computer or a server, not worn by the user. Any suitable computing device known in the art may be employed. Connection **905** provides a data and power connection from computer **906** to virtual reality unit **902**.

Virtual reality unit **902** includes skirt **907** attached to straps **903** and **904** and display portion **908** attached to skirt **907**. Skirt **907** covers eyes **908** and **916** of user **901**. Display portion **908** includes processor **911**, display unit **910** connected to processor **911**, a set of sensors **912** connected to processor **911**, communication interface **913** connected to processor **911**, and memory **914** connected to processor **911**. Lens **909** is positioned adjacent to display unit **910** and eye **908** of user **901**. Lens **915** is positioned adjacent to display unit **910** and eye **916** of user **901**. Virtual reality unit **902** provides a stereoscopic three-dimensional view of images to user **901**.

User **901** wears communication device **917**. Communication device **917** includes earpiece speaker **918** and microphone **919**. Communication device **917** is preferably connected to computer **906** via a wireless connection such as a Bluetooth connection. In other embodiments, other wireless or wired connections are employed. Communication device **917** enables voice activation and voice control of a simulation application stored in the computer **906** by user **901**.

In one embodiment, virtual reality unit **902** is the Oculus Rift headset available from Oculus VR, LLC. In another embodiment, virtual reality unit **902** is the HTC Vive headset available from HTC Corporation. In this embodiment, a set of laser position sensors **920** is attached to an external surface virtual reality unit **902** to provide position data of virtual reality unit **902**. Any suitable virtual reality unit known in the art may be employed.

In certain embodiments, set of sensors **912** include sensors related to eye tracking. When the sensors related to eye tracking are based on infrared optical tracking, the set of sensors **912** includes one or more infrared light sources and

one or more infrared cameras. Light from the infrared light sources is reflected from one or more surfaces of the user eye and is received by the infrared cameras. The reflected light is reduced to a digital signal which is representative of the positions of the user eye. These signals are transmitted to the computer. Computer **906** and processor **911** then determine the positioning and direction of the eyes of the user and record eye tracking data. With the eye tracking data, computer **906** determines whether the user is focusing on the simulated target or on the phantom target; how quickly a user focuses on the simulated target or phantom target; how long it takes for the user to aim the weapon after focusing on the simulated target or phantom target; how long the user focuses on the simulated target or phantom target before pulling the trigger; how long it takes the user to see and focus on the next target; whether the user's eyes were shut or closed before, during, or after the pull of the trigger; and so on. Computer **906** also determines eye training statistics based on the eye training data and the eye tracking data collected over multiple shots and rounds of the simulation. Feedback is given to the user that includes and is based on the eye tracking data, the eye training data, and the eye training statistics.

In certain embodiments, the laser position sensors **920** are light emitting diodes (LEDs) that act as markers that can be seen or sensed by one or more cameras or sensors. Data from the cameras or sensors is processed to derive the location and orientation of virtual reality unit **902** based on the LEDs. Each LED emits light using particular transmission characteristics, such as phase, frequency, amplitude, and duty cycle. The differences in the phase, frequency, amplitude, and duty cycle of the light emitted by the LEDs allows for a sensor to identify each LED by the LED's transmission characteristics. In certain embodiments, the LEDs on virtual reality unit **902** are spaced with placement characteristics so that there is a unique distance between any two LEDs, which gives the appearance of a slightly randomized placement on virtual reality unit **902**. The transmission characteristics along with placement characteristics of the LEDs on virtual reality unit **902** allows the simulation system to determine the location and orientation of virtual reality unit **902** by sensing as few as three LEDs with a camera or other sensor.

In a preferred embodiment, a simulation environment that includes a target is generated by computer **906**. Computer **906** further generates a phantom target and a phantom halo in front of the generated target based on a generated target flight path. The simulation environment including the generated target, the phantom target, and the phantom halo are transmitted from computer **906** to virtual reality unit **902** for viewing adjacent eyes **908** and **916** of user **901**, as will be further described below. The user aims a weapon at the phantom target to attempt to shoot the generated target.

Referring FIG. 10A in one embodiment, simulated weapon **1001** includes trigger **1002** connected to set of sensors **1003**, which is connected to processor **1004**. Communication interface **1005** is connected to processor **1004** and to computer **1009**. Battery **1026** is connected to processor **1004**. Simulated weapon **1001** further includes a set of controls **1006** attached to an external surface of weapon **1001** and connected to processor **1004**. Set of controls **1006** includes directional pad **1007** and selection button **1008**. Battery **1026** is connected to processor **1004**. Actuator **1024** is connected to processor **1004** to provide haptic feedback.

In a preferred embodiment, simulated weapon **1001** is a shotgun. It will be appreciated by those skilled in the art that other weapon types may be employed.

In one embodiment, simulated weapon **1001** is a Delta Six first person shooter controller available from Avenger Advantage, LLC. In another embodiment, simulated weapon **1001** is an airsoft weapon or air gun replica of a real weapon. Other suitable simulated weapons known in the art may be employed.

In a preferred embodiment, set of sensors **1003** includes a position sensor for trigger **1002** and a set of motion sensors to detect an orientation of weapon **1001**.

In a preferred embodiment, the position sensor is a Hall Effect sensor. In this embodiment, a magnet is attached to trigger **1002**. Other types of Hall Effect sensor or any other suitable sensor type known in the art may be employed.

In a preferred embodiment, the set of motion sensors is a 9-axis motion tracking system-in-package package sensor, model no. MP11-9150 available from InverSense®, Inc. In this embodiment, the 9-axis sensor combines a 3-axis gyroscope, a 3-axis accelerometer, an on-board digital motion processor, and a 3-axis digital compass. In other embodiments, other suitable sensors and/or suitable combinations of sensors may be employed.

Referring to FIGS. **10B**, **10C**, and **10D** in another embodiment, weapon **1010** includes simulation attachment **1011** removably attached to its stock. Simulation attachment **1011** includes on-off switch **1012** and pair button **1013** to communicate with computer **1009** via Bluetooth connection. Any suitable wireless connection may be employed. Trigger sensor **1014** is removably attached to trigger **1022** and in communication with simulation attachment **1011**. A set of muzzle sensors **1015** is attached to a removable plug **1016** which is removably inserted into barrel **1023** of weapon **1010**. Set of muzzle sensors **1015** include a processor **1017**, battery **1018** connected to processor **1017**, gyroscope **1019** connected to processor, accelerometer **1020** connected to processor **1017**, and compass **1021** connected to processor **1017**.

In one embodiment, set of muzzle sensors **1015** and removable plug **1016** are positioned partially protruding outside of barrel **1023** of weapon **1010**.

In one embodiment, weapon **1010** includes rail **1025** attached to its stock in any position. In this embodiment, set of muzzle sensors **1015** is mounted to rail **1025**.

In one embodiment, weapon **1010** fires blanks to provide live recoil to a user.

It will be appreciated by those skilled in the art that any weapon may be employed as weapon **1010**, including any rifle or handgun. It will be further appreciated by those skilled in the art that rail **1025** is optionally mounted to any type of weapon. Set of muzzle sensors **1025** may be mounted in any position on weapon **1010**. Any type of mounting means known in the art may be employed.

Referring to FIG. **10E**, base **1028** comprises a sensor system that includes a magnetic field detector used to determine the location and orientation of a weapon, such as weapon **1010** with removable plug **1016** shown in FIG. **10F**. Base **1028** includes processor **1032**, which is connected to communication interface **1034**, power source **1036**, memory **1038**, first coil **1040**, second coil **1042**, and third coil **1044**. First coil **1040**, second coil **1042**, and third coil **1044** form the magnetic field detector of the sensor system of base **1028**.

Processor **1032** of base **1028** receives positioning signals via first coil **1040**, second coil **1042**, and third coil **1044** that are used to determine the position and orientation of a weapon used in the simulation system. In a preferred embodiment, each of the positioning signals received via first coil **1040**, second coil **1042**, and third coil **1044** can be

differentiated from one another by one or more of each positioning signal's phase, frequency, amplitude, and duty cycle so that each positioning signal transmitted by each coil is distinct. The differences in the positioning signals allow base **1028** to determine the position of a transmitting device, such as removable plug **1016** of FIG. **10F**, based on the positioning signals that indicates the relative position between base **1028** and the transmitting device.

Referring to FIG. **10F**, removable plug **1016** is inserted into an under barrel of weapon **1010** and transmits positioning signals used to determine the location and orientation of removable plug **1016** and the weapon removable plug **1016** is connected to. Removable plug **1016** includes processor **1017**, which is connected to battery **1018**, communication interface **1046**, first coil **1048**, second coil **1050**, and third coil **1052**. First coil **1048**, second coil **1050**, and third coil **1052** form magnetic field transmitters of a sensor system of removable plug **1016**. The magnetic fields generated and transmitted by first coil **1048**, second coil **1050**, and third coil **1052** are positioning signals used to determine the location and orientation of removable plug **1016**, for example, by base **1028** of FIG. **10E**.

Processor **1017** transmits positioning signals from first coil **1048**, second coil **1050**, and third coil **1052** that are received by processor **1032** of base **1028**. From the transmitted positioning signals, the relative location and orientation between removable plug **1016** and base **1028** is determined so that the precise location of removable plug **1016** with respect to base **1028** is derived. The determinations and derivations may be performed by one or more of processor **1032** of base **1028**, processor **1017** of removable plug **1016**, and a processor of another computer of the simulation system, such as computer **1009**. Once the position of removable plug **1016** is known, the position and orientation of weapon **1010** is determined based on the location and orientation of removable plug **1016**, the geometry of removable plug **1016**, the geometry of weapon **1016**, and the placement of removable plug **1016** on weapon **1016**. With the position and orientation of weapon **1010**, the simulation application can display a simulated version of weapon **1016**, calculate the proper position of a phantom target, and provide suggested adjustments to improve a user's marksmanship.

In an alternative embodiment, the sensor system of base **1028** includes the magnetic field transmitter and the sensor system of removable plug **1016** includes the magnetic field detector. In alternative embodiments, removable plug **1016** includes threading that corresponds to threading with the barrel of the weapon that is commonly used for a shotgun choke and removable plug **1016** is fitted and secured to the barrel of the weapon via the threading.

Referring to FIG. **10G**, removable collar **1054** fits onto barrel **1056** of a weapon, such as weapon **1010** of FIG. **10B**. Removable collar **1054** includes tip **1058** and three members **1060**, **1062**, and **1064**. Members **1060**, **1062**, and **1064** extend from a first side of tip **1058** that touches barrel **1056** when removable collar **1054** is fitted to barrel **1056**. Removable collar **1054** includes light emitting diodes (LEDs), such as LEDs **1066** on member **1060**, LEDs **1068** on member **1062**, and LEDs on member **1064**, and LEDs **1070** on tip **1058**. Removable collar **1054** includes additional LEDs that are occluded on FIG. **10G**, such as on member **1064** and on tip **1058**. The LEDs on removable collar **1054** may emit infrared light to be invisible to a user or may emit light in the visible spectrum. Removable collar **1054** acts as a marker from which the location and orientation of the weapon can be derived.

The LEDs on removable collar **1054** each emit light using particular transmission characteristics, such as phase, frequency, amplitude, and duty cycle. The differences in the phase, frequency, amplitude, and duty cycle of the light emitted by the LEDs allows for a sensor to identify each LED on removable collar **1054** by the LED's transmission characteristics. The LEDs on removable collar **1054** are spaced with placement characteristics so that there is a unique distance between any two LEDs, which gives the appearance of a slightly randomized placement on removable collar **1054**. The transmission characteristics along with placement characteristics of the LEDs on removable collar **1054** allows the simulation system to determine the location and orientation of the removable plug by sensing as few as three LEDs with a camera or other sensor. Once the location and orientation of removable collar **1054** is determined, the location and orientation of the weapon to which removable collar **1054** is attached is derived based on the known geometries of removable collar **1054** and the weapon, which are stored in a database.

Referring to FIG. 10H, removable collar **1054** is fitted onto barrel **1056** of a weapon. Inner portions of members **1060-1064** are rubberized and may contain an adhesive to prevent movement of removable collar **1054** with respect to the weapon it is attached to. After removable collar **1054** is installed for the first time to a weapon, the simulation system is calibrated to associate the location and orientation, including a roll angle, of removable collar **1054** to the location and orientation of the weapon.

In alternative embodiments, the portion of removable collar **1054** that fits against the barrel of the weapon is shaped to fit with only one orientation with respect to the weapon. The removable collar **1054** may include additional members that fit around the iron sight of the weapon so that there is only one possible fitment of removable collar **1054** to the weapon and the process of calibration can be reduced or eliminated.

Referring to FIG. 10I, removable collar **1054** is fitted to weapon **1010**. Weapon **1010** is an over-under shotgun with over barrel **1056**, under barrel **1057**, and top rail **1059**. Removable collar **1054** comprises a hollow portion **1055** that allows for the discharge of live or blank rounds of ammunition during the simulation. A front surface of removable collar **1054** is flush with the front surfaces of barrel **1057** so that the position of removable collar **1054** with respect to each of barrels **1056** and **1057** is known and the trajectory of shots from weapon **1010** can be properly simulated. Removable collar **1054** includes hollow portion **1055**, member **1061**, mounting screws **1063**, battery **1018**, processor **1017**, and LEDs **1067**. Removable collar **1054** is customized to the particular shape of weapon **1010**, which may include additional iron sights. Removable collar **1054** does not interfere with the sights of weapon **1010** so that weapon **1010** can be aimed normally while removable collar **1054** is fitted to weapon **1010**.

Member **1061** is a flat elongated member that allows for removable collar **1054** to be precisely and tightly fitted to the end of barrel **1057** of weapon **1010** after removable collar **1054** is slid onto the end of barrel **1057**. Member **1061** with screws **1063** operate similar to a C-clamp with screws **1063** pressing into member **1061** and thereby securing removable collar **1054** to the end of barrel **1057** with sufficient force so that the position and orientation of removable collar **1054** with respect to weapon **1010** is not altered by the firing of live rounds or blank rounds of ammunition with weapon **1010**.

Battery **1018** is connected to and powers the electrical components within removable collar **1054** including processor **1017** and LEDs **1067**. Processor **1017** controls LEDs **1067**. In additional embodiments removable collar **1054** includes one or more, accelerometers, gyroscopes, compasses, and communication interfaces connected to processor **1017**. The sensor data from the accelerometers, gyroscopes, and compasses is sent from removable collar **1054** to computer **1009** via the communication interface. Removable collar **1054** includes button **1069** to turn on, turn off, and initiate the pairing of removable collar **1054**.

LEDs **1067** emit light that is sensed by one or more cameras or sensors, from which the locations and orientations of removable collar **1054** and weapon **1010** can be determined. The locations and orientations are determined from the transmission characteristics of the light emitted from LEDs **1067**, and the placement characteristics of LEDs **1067**.

Weapon **1010**, to which removable collar **1054** is fitted, is loaded with one or more live or blank rounds of ammunition that discharge through the hollow portion **1055** of removable collar **1054** when a trigger of weapon **1010** is pulled so that blank rounds or live rounds of ammunition can be used in conjunction with the simulation. Using blank rounds or live rounds with the simulation allows for a more accurate and realistic simulation of the shooting experience, including the experience of re-aiming weapon **1010** for a second shot after feeling the kickback from the discharge of a blank or live round from a first shot.

In alternative embodiments, the weapon is a multiple shot weapon, such as an automatic rifle, a semi-automatic shotgun, or a revolver. With a multiple shot weapon the simulation experience includes the feeling of the transition between shots, such as the cycling of the receiver of a semi-automatic shotgun. When the weapon comprises an automatic or semi-automatic receiver, the simulation displays the ejection of a spent shell casing that may not correspond to the actual path or trajectory of the actual spent shell casing. Additional embodiments track the location of the spent shell casing as it is ejected and match the location and trajectory of the simulated shell casing to the location and trajectory of the spent shell casing. Additional embodiments also include one or more additional sensors, electronics, and power supplies embedded within the housing of removable collar **1054**.

Referring to FIG. 10J, weapon **1072** is adapted for use in a simulation by the fitment of removable collar **1054** to the barrel of weapon **1072**. Weapon **1072** is a try gun that includes a stock **1074** with adjustable components to fit users of different heights and statures. Each component may include electronic sensors that measure the length, angle, or position of the component so that weapon **1072** can be properly displayed in a simulation.

Stock **1074** of weapon **1072** includes comb **1076** with comb angle adjuster **1078** and comb height adjuster **1080**. Comb **1076** rests against a cheek of a user to improve stability of weapon **1072** during use. The height of comb **1076** is adjustable via manipulation of comb height adjuster **1080**. The angle of comb **1076** is adjustable via manipulation of comb angle adjuster **1078**.

Stock **1074** of weapon **1072** also includes butt plate **1082** with butt plate angle adjuster **1084** and trigger length adjuster **1086**. Trigger length **1088** is the length from trigger **1090** to butt plate **1082**. Butt plate **1082** rests against a shoulder of a user to improve stability of weapon **1072** during use. Trigger length **1088** from butt plate **1082** to trigger **1090** is adjustable via manipulation of trigger length

adjuster **1086**. The angle of butt plate **1082** is adjustable via manipulation of butt plate angle adjuster **1084**.

When weapon **1072** used in a virtual reality simulation system with removable collar **1054**, suggested adjustments to comb **1076** and butt plate **1082** are optionally provided. If shots are consistently to the right or left of an ideal shot placement for a right handed shooter, it may be suggested to increase or decrease trigger length **1088**, respectively. If shots are consistently above or below the ideal shot placement, it may be suggested to decrease or increase the height of comb **1076**, respectively.

Referring to FIG. **10K**, an alternative embodiment of trigger sensor **1014** is shown. Weapon **1010** includes trigger **1022** and trigger guard **1027**. Trigger sensor **1014** is specially shaped and contoured to fit securely to the front of trigger guard **1027**. Once trigger sensor **1014** is slid onto trigger guard **1027**, screws **1041** are tightened to further secure trigger sensor **1014** to trigger guard **1027** and weapon **1010**.

Pull ring **1029** is connected to string **1030**, which winds upon spindle **1031**. Spindle **1031** includes spring **1033**, which keeps tension on string **1030** and biases pull ring **1029** to be pulled away from trigger **1022** and towards trigger guard **1027** and trigger sensor **1014**. In the resting state, there is no slack in string **1030** and pull ring **1029** rests against trigger sensor **1014**.

Sensor **1035** provides data indicative of the rotation and/or position of spindle **1031**. In one preferred embodiment, sensor **1035** is a potentiometer that is connected to and turns with spindle **1031**, where a voltage of the potentiometer indicates the position of spindle **1031** and a change in voltage indicates a rotation of spindle **1031**. In another preferred embodiment, sensor **1035** includes one or more photo emitters and photo detectors that surround an optical encoder wheel that is attached to spindle **1031**, where light from the photo emitters passes through the encoder wheel to activate certain photo detectors to indicate the position of spindle **1031**.

Controller **1037** receives data from sensor **1035** to determine the state of trigger sensor **1014** and communicates the state of trigger sensor **1014** by controlling the output of LED **1039** to create a coded signal that corresponds to the state of trigger sensor **1014**. In a preferred embodiment, the states of trigger sensor **1014** include: pull ring not engaged, pull ring engaged but trigger not pulled, pull ring engaged and trigger is pulled. Controller **1037**, LED **1039**, and sensor **1035** are powered by battery **1043**.

The state of trigger sensor **1014** is communicated by controlling the output LED **1039** with controller **1037**. The output of LED **1039** forms a coded signal to indicate the state of trigger sensor **1014** and can also be used to aid in the determination of the position and orientation of weapon **1010** when the position of trigger sensor **1014** with respect to weapon **1010** and the geometry of weapon **1010** are known. The output of LED **1039** is cycled on and off to flash with a particular phase, frequency, amplitude, and duty cycle that form a set of output characteristics. Different output characteristics are used to indicate different states of trigger sensor **1014**. A first set of output characteristics or first code is used to indicate the pull ring not engaged state, a second set of output characteristics or second code is used to indicate the pull ring engaged but trigger not pulled state, and a third set of output characteristics or third code is used to indicate the pull ring engaged and trigger is pulled state. In one embodiment, the pull ring not engaged state is indicated by a set of output characteristics where the duty cycle is 0% and/or the amplitude is 0 so that LED **1039** does

not turn on. An external sensor or camera, such as one of position trackers **1205**, **1206**, and **1215** can be used to determine the state of trigger sensor **1014** by detecting the output from LED **1039** and decoding the output characteristics to determine which state trigger sensor **1014** is in.

In an alternative embodiment, pull ring **1029** and string **1030** each include conductive material, trigger sensor **1014** includes a pull-up resistor connected to an input of controller **1037**, and controller **1037** is electrically grounded to trigger guard **1027**. When trigger **1022** and trigger guard **1027** are electrically connected and conductive pull ring **1029** is touched to trigger **1022**, the pull-up resistor is grounded to change the state of the input of controller **1037** so that controller **1037** can determine whether pull ring **1029** is touching trigger **1022**. Assuming that the user only touches pull ring **1029** to trigger **1022** when attempting to pull trigger **1022**, the determination of whether pull ring **1029** is touching trigger **1022** can be used to indicate that the trigger has been pulled, which is communicated by changing the output coding of LED **1039**.

Referring to FIGS. **11A**, **11B**, and **11C**, different types and styles of sights may be used on weapons used with the simulation. Additionally, the simulation may display a sight on a weapon that is different from the sight actually on the weapon to allow different types of sights to be tested. In alternative embodiments, the halo around the phantom target can be adjusted to match or include the sight profile of the sight being used on the weapon.

In FIG. **11A**, weapon **1102** includes iron sight **1104**. Iron sight **1104** comprises two components, one proximate to the tip of the barrel of weapon **1102** and one distal to the tip of weapon **1102**, that when aligned indicate the orientation of weapon **1102** to a user of weapon **1102**.

In FIG. **11B**, weapon **1102** includes reflex sight **1106**, also referred to as a red-dot sight, which may be in addition to an iron sight on weapon **1102**. Reflex sight **1106** is mounted on the barrel of weapon **1102** and includes sight profile **1108** shown as a dot. Sight profile **1108** may take any size, shape, color, or geometry and may include additional dots, lines, curves, and shapes of one or more colors. A user can only see the sight profile **1108** when the head of the user is properly positioned with respect to reflex sight **1106**.

In FIG. **11C**, weapon **1102** includes holographic sight **1110**, which may be in addition to an iron sight. Holographic sight **1110** is mounted to the receiver of weapon **1102** and includes sight profile **1112** shown as a combination circle with dashes. Sight profile **1112** may take any size, shape, color, or geometry and may include additional dots, lines, curves, and shapes of one or more colors. A user can only see the sight profile **1112** when the head of the user is properly positioned with respect to holographic sight **1110**.

Referring to FIG. **12**, in simulation environment **1200**, user **1201** wears user device **1202** connected to computer **1204** and holds weapon **1203**. Each of position trackers **1205**, **1206**, and **1215** is connected to computer **1204**. Position tracker **1205** has field of view **1207**. Position tracker **1206** has field of view **1208**. Position tracker **1215** has field of view **1216**. User **1201** is positioned in fields of view **1207**, **1208**, and **1216**.

In one embodiment, weapon **1203** is a simulated weapon. In another embodiment, weapon **1203** is a real weapon with a simulation attachment. In another embodiment, weapon **1203** is a real weapon and user **1201** wears a set of tracking gloves **1210**. In other embodiments, user **1201** wears the set of tracking gloves **1210** and uses the simulated weapon or the real weapon with the simulation attachment.

In a preferred embodiment, each of position trackers **1205**, **1206**, and **1215** is a near infrared CMOS sensor having a refresh rate of 60 Hz. Other suitable position trackers known in the art may be employed. For example, position trackers **1205**, **1206**, and **1215** can be embodiments of base **1028** of FIG. **10E**.

In a preferred embodiment, position trackers **1205**, **1206**, and **1215** capture the vertical and horizontal positions of user device **1202**, weapon **1203** and/or set of gloves **1210**. For example, position tracker **1205** captures the positions and movement of user device **1202** and weapon **1203**, and/or set of gloves **1210** in the y-z plane of coordinate system **1209** and position tracker **1206** captures the positions and movement of user device **1202** and weapon **1203** and/or set of gloves **1210** in the x-z plane of coordinate system **1209**. Further, a horizontal angle and an inclination angle of the weapon are tracked by analyzing image data from position trackers **1205**, **1206**, and **1215**. Since the horizontal angle and the inclination angle are sufficient to describe the aim point of the weapon, the aim point of the weapon is tracked in time.

In a preferred embodiment, computer **1204** generates the set of target data includes a target launch position, a target launch angle, and a target launch velocity of the generated target. Computer **1204** retrieves a set of weapon data based on a desired weapon, including a weapon type e.g., a shotgun, a rifle, or a handgun, a set of weapon dimensions, a weapon caliber or gauge, a shot type including a load, a caliber, a pellet size, and shot mass, a barrel length, a choke type, and a muzzle velocity. Other weapon data may be employed. Computer **1204** further retrieves a set of environmental data that includes temperature, amount of daylight, amount of clouds, altitude, wind velocity, wind direction, precipitation type, precipitation amount, humidity, and barometric pressure for desired environmental conditions. Other types of environmental data may be employed.

Position trackers **1205**, **1206**, and **1215** capture a set of position image data of user device **1202**, weapon **1203** and/or set of gloves **1210** and the set of images is sent to computer **1204**. Sensors in user device **1202**, weapon **1203** and/or set of gloves **1210** detect a set of orientation data and sends the set of orientation data to computer **1204**. Computer **1204** then calculates a generated target flight path for the generated target based on the set of target data, the set of environment data, and the position and orientation of the user device **1202**. The position and orientation of the user device **1202**, the weapon **1203** and/or set of gloves **1210** are determined from the set of position image data and the set of orientation data. Computer **1204** generates a phantom target and a phantom halo based on the generated target flight path and transmits the phantom target and the phantom halo to user device **1202** for viewing by user **1201**. User **1201** aims weapon **1203** at the phantom target and the phantom halo to attempt to hit the generated target. Computer **1204** detects a trigger pull on weapon **1203** by a trigger sensor and/or a finger sensor and determines a hit or a miss of the generated target based on the timing of the trigger pull, the set of weapon data, the position and orientation of user device **1202**, weapon **1203**, and/or set of gloves **1210**, the phantom target, and the phantom halo.

In an alternative embodiment, the set of gloves is replaced by a thimble worn on the trigger finger of the shooter and a simulation attachment on the weapon. The simulation attachment on the weapon indicates the position and direction of the weapon and the trigger finger thimble is used to indicate when the trigger is pulled. The positions of the simulation attachment and the thimble are tracked by posi-

tion trackers **1205**, **1206**, and **1215**. When the user provides a “pull” command, such as by vocalizing the word “pull” that is picked up via voice recognition, the system launches a target and arms the trigger finger thimble, so that when sufficient movement of the thimble relative to the weapon is detected, the system will identify the trigger as being pulled and fire the weapon in the simulation. When the thimble is not armed, movement of the thimble with respect to the weapon is not used to identify if the trigger has been pulled.

When weapon **1203** is loaded with live or blank rounds of ammunition, the discharge of the live or blank rounds of ammunition are detected by one or more sensors, such as a microphone, of user device **1202**. When the discharge of a live or blank round of ammunition is detected and weapon **1203** is a multi-shot weapon that includes a receiver that cycles between shots, the simulation displays the cycling of the receiver after the discharge of the live or blank round of ammunition is detected. When weapon **1203** is a revolver, the simulation displays the rotation of the cylinder. When the system detects the discharge of a number of rounds of live or blank ammunition that is equal to the maximum number of rounds that can be stored in weapon **1203**, the system provides an indication to the user, via user device **1202**, that it is time to reload weapon **1203**.

Referring to FIG. **13**, command menu **1300** includes simulation type **1301**, weapon type **1302**, weapon options **1312**, ammunition **1303**, target type **1304**, station select **1305**, phantom toggle **1306**, day/night mode **1307**, environmental conditions **1308**, freeze frame **1309**, instant replay **1310**, and start/end simulation **1311**. Simulation type **1301** enables a user to select different types of simulations. For example, the simulation type includes skeet shooting, trap shooting, sporting clays, and hunting. Weapon type **1302** enables the user to choose from different weapon types and sizes. Weapon types include shot guns, rifles, handguns, airsoft weapons, air guns, and so on. Weapon sizes include the different calibers or gauges for the weapon’s type. The user further enters a weapon sensor location, for example, in the muzzle or on a rail, and whether the user is right or left handed. Weapon options **1312** enables the user to select different weapon options relating the weapon selected via weapon type **1302**. Weapon options **1312** include optional accessories that can be mounted to the weapon, such as tactical lights, laser aiming modules, forward hand grips, telescopic sights, reflex sights, red-dot sights, iron sights, holographic sights, bipods, bayonets, and so on, including iron sight **1104**, reflex sight **1106**, and holographic sight **1110** of FIG. **11**. Weapon options **1312** also include one or more beams to be simulated with the weapon, such as beams **1906**, **1912**, **1916**, **1924**, **1928**, **1932**, and **1936** of FIG. **19**, which show an approximated trajectory of a shot and are optionally adjusted for one or more of windage and gravity. Ammunition **1303** enables the user to select different types of ammunition for the selected weapon type. Target type **1304** enables the user to select different types of targets for the simulation, including clay targets, birds, rabbits, and so on. Each type of target includes a target size, a target color, and a target shape. Station select **1305** enables the user to choose different stations to shoot from, for example, in a trap shooting range, a skeet shooting range, a sporting clays course, or a field. The user further selects a number of shot sequences for the station select. In a preferred embodiment, the number of shot sequences in the set of shot sequences is determined by the type of shooting range used and the number of target flight path variations to be generated. For example, the representative number of shot sequences for a

skeet shooting range is at least eight, one shot sequence per station. More than one shot per station may be utilized.

In a preferred embodiment, each simulation type **1301** is associated with one or more animated virtual reality shooting scenarios. As one example, when simulation type **1301** is hunting, the animated virtual reality shooting scenario includes a scenario for learning how to shoot over dogs. The shooting over dogs scenario displays an animated dog going on point as a part of the hunt in the simulation so that the user can learn to shoot the target and avoid shooting the dog.

Phantom toggle **1306** allows a user to select whether to display a phantom target and a phantom halo during the simulation. The user further selects a phantom color, a phantom brightness level, and a phantom transparency level.

In certain embodiments, phantom toggle **1306** includes additional help options that adjust the amount of “help” given to the user based on how well the user is doing, such as with aim sensitive help and with dynamic help. When aim sensitive help is selected, aim sensitive help is provided that adjusts one or more of the transparency, color, and size of one or more beams from weapon options **1312**, phantom targets, and halos based on how close the aim point of the weapon is to a phantom target. With aim sensitive help, the beams, phantom targets, and halos are displayed with less transparency, brighter colors, and larger sizes the further off-target the aim point of the weapon is. Conversely, the beams, phantom targets, and halos are displayed with more transparency, darker colors, and smaller sizes when the weapon is closer to being aimed on-target.

When dynamic help is selected, the amount of help provided to the user for each shot is adjusted dynamically based on how well the user is performing with respect to one or more of each shot, each round, and the simulation overall. When more help is provided, beams, phantom targets, and halos are given more conspicuous characteristics and, conversely, when less help is provided, the beams, phantom targets, and halos are shown more passively or not at all. The amount of help is dynamic in that when the previous one or more shots hit the target, a lesser amount of help is provided on the next one or more shots and, conversely, when the previous one or more shots did not hit the target, more help is provided for the subsequent one or more shots. As the user’s skill level advances, the brightness of the phantom target can diminish until it is transparent—the user has learned correct lead by rote repetition and no longer needs the phantom as a visual aide.

Day/night mode **1307** enables the user to switch the environment between daytime and nighttime. Environmental conditions **1308** enables the user to select different simulation environmental conditions including temperature, amount of daylight, amount of clouds, altitude, wind velocity, wind direction, precipitation type, precipitation amount, humidity, and barometric pressure. Other types of environmental data may be employed. Freeze frame **1309** allows the user to “pause” the simulation. Instant replay **1310** enables the user replay the last shot sequence including the shot attempt by the user. Start/end simulation **1311** enables the user to start or end the simulation. In one embodiment, selection of **1301**, **1302**, **1312**, **1303**, **1304**, **1305**, **1306**, **1307**, **1308**, **1309**, **1310**, and **1311** is accomplished via voice controls. In another embodiment, selection of **1301**, **1302**, **1312**, **1303**, **1304**, **1305**, **1306**, **1307**, **1308**, **1309**, **1310**, and **1311** is accomplished via a set of controls on a simulated weapon as previously described.

Referring to FIG. **14**, runtime method **1400** for a target simulation will be described. At step **1401**, a baseline position and orientation of the user device and a baseline

position and orientation of the weapon are set. In this step, the computer retrieves a set of position image data from a set of position trackers, a set of orientation data from a set of sensors in the user device, the weapon and/or a set of gloves and saves the current position and orientation of the user device and the weapon into memory. Based on the simulation choice, the virtual position of the launcher relative to the position and orientation of the user device is also set. If the user device is oriented toward the virtual location of the launcher, a virtual image of the launcher will be displayed. At step **1402**, a set of target flight data, a set of environment data, and a set of weapon data are determined from a set of environment sensors and a database.

In a preferred embodiment, the set of weapon data is downloaded and saved into the database based on the type of weapon that is in use and the weapon options selected to be used with the weapon. In a preferred embodiment, the set of weapon data includes a weapon type e.g., a shotgun, a rifle, or a handgun, a weapon caliber or gauge, a shot type including a load, a caliber, a pellet size, and shot mass, a barrel length, a choke type, and a muzzle velocity. Other weapon data may be employed. In a preferred embodiment, the weapon options include one or more accessories and beams, including iron sight **1104**, reflex sight **1106**, and holographic sight **1110** of FIG. **11**, and including beams **1906**, **1912**, **1916**, **1920**, **1924**, **1928**, **1932**, and **1936** of FIG. **19**.

In a preferred embodiment, the set of environment data is retrieved from the database and includes a wind velocity, an air temperature, an altitude, a relative air humidity, and an outdoor illuminance. Other types of environmental data may be employed.

In a preferred embodiment, the set of target flight data is retrieved from the database based on the type of target in use. In a preferred embodiment, the set of target flight data includes a launch angle of the target, an initial velocity of the target, a mass of the target, a target flight time, a drag force, a lift force, a shape of the target, a color of the target, and a target brightness level. In alternative embodiments, the target is a self-propelled flying object, such as a bird or drone, which traverses the simulated environment at a constant air speed.

At step **1403**, the target and environment are generated from the set of target flight data and the set of environmental data. At step **1404**, a virtual weapon image that includes the selected weapon options is generated and saved in memory. In this step, images and the set of weapon data of the selected weapon and the selected weapon options for the simulation is retrieved from the database. At step **1405**, the target is launched and the target and environment are displayed in the user device. In a preferred embodiment, a marksman will initiate the launch with a voice command such as “pull.”

At step **1406**, a view of the user device with respect to a virtual target launched is determined, as will be further described below.

At step **1407**, a phantom target and a phantom halo are generated based on a target path and the position and orientation of the user, as will be further described below. The target path is determined from the target position the target velocity using Eqs. 1-4. At step **1408**, the generated phantom target and the generated phantom halo are sent to the user device and displayed, if the user device is oriented toward the target path. The generated weapon is displayed with the selected weapon options if the user device is oriented toward the position of the virtual weapon or the selected weapon options.

21

At step **1409**, whether the trigger on the weapon has been pulled is determined from a set of weapon sensors and/or a set of glove sensors. In one preferred embodiment with the trigger sensor of FIG. **10K**, the determination of whether the trigger is pulled is made responsive to detecting one of the codes that correspond to the state of trigger sensor **1014** from the output of LED **1039** by a sensor, such as one of position trackers **1205**, **1206**, and **1215** of FIG. **12**.

If the trigger has not been pulled, then method **1400** returns to step **1405**. If the trigger has been pulled, then method **1400** proceeds to step **1410**.

At step **1410**, a shot string is determined. In this step, a set of position trackers capture a set of weapon position images. In this step, a set of weapon position data is received from a set of weapon sensors. The shot string is calculated by:

$$A_{shot\ string} = \pi R_{string}^2 \quad \text{Eq. 7}$$

$$R_{string} = R_{initial} + v_{spread} t \quad \text{Eq. 8}$$

where $A_{shot\ string}$ is the area of the shot string, R_{string} is the radius of the shot string, $R_{initial}$ is the radius of the shot as it leaves the weapon, v_{spread} is the rate at which the shot spreads, and t is the time it takes for the shot to travel from the weapon to the target. An aim point of the weapon is determined from the set of weapon position images and the set of weapon position data. A shot string position is determined from the position of the weapon at the time of firing and the area of the shot string.

At step **1411**, if the user device is oriented along the muzzle of the weapon, the shot string is displayed on the user device at the shot string position. Separately, a gunshot sound is played and weapon action is displayed. Weapon action is based on the type of the weapon and includes the display of mechanical movements of the weapon, such as the movement of a semi-automatic receiver and the strike of a hammer of the weapon.

At step **1412**, whether the phantom target has been "hit" is determined. The simulation system determines the position of the shot string, as previously described. The simulation system compares the position of the shot string to the position of the phantom target. The shot string is optionally displayed as an elongated cloud of any color that moves from the tip of the user device towards the shot location, which, ideally, is the target and provides visual feedback to the user of the path taken by the shot string. When the elongated cloud is close to the user device shortly after firing, the diameter of the elongated cloud is about one inch. When the elongated cloud is close to the target, about twenty five yards away from the user, the diameter of the cloud has expanded linearly to about twenty five inches.

If the position of the shot string overlaps the position of the phantom target, then the phantom target is "hit." If the position of the shot string does not overlap the phantom target, then the phantom target is "missed."

If the phantom target is hit and the user device is oriented toward the hit location, then method **1400** displays an animation of the target being destroyed on the user device at the appropriate coordinates and plays a sound of the target being destroyed at step **1413**. At step **1414**, the simulation system records a "hit" in the database.

If a "miss" is determined at step **1412**, then method **1400** proceeds to step **1415**. At step **1415**, whether the phantom halo is hit is determined. In this step, whether the shot string overlaps an area of the phantom halo by a percentage greater than or equal to a predetermined percentage is determined. For example, the predetermined percentage is 50%. Whether

22

the shot string overlaps at least 50% of the area of the phantom halo is determined. Any predetermined percentage may be employed.

If the position of the shot string overlaps the phantom halo by a percentage greater than or equal to the predetermined percentage, then a "hit" is determined and method **1400** proceeds to step **1413**.

If at step **1415**, the shot string does not overlap the area of the phantom halo by a percentage greater than or equal to the predetermined percentage, then a "miss" is determined and the simulation system records a "miss" in the database at step **1416**.

The number of targets that are hit, the number of targets that are missed, the location of each shot with respect to the phantom target, and the location of the shot string with respect to the trajectory of the target are generated to form tracking data. The tracking data is analyzed to provide insights and suggested adjustments for how to improve the user's performance with the simulation system.

At step **1417**, whether an end command has been received to complete the simulation is determined. If not received, then method **1400** advances to the next target at step **1418**.

If an end command has been received and the simulation is complete, then a trend of shot attempts is analyzed at step **1419** by retrieving a number of "hits" in the set of shot sequences and a number of "misses" in the set of shot sequences from the database. In this step, a shot improvement is determined by evaluating the number of hits in the set of shot sequences and the number of misses in the set of shot sequences. Method **1400** ends at step **1420**.

Referring to FIG. **15A**, user **1500** wears user device **1501** and holds weapon **1502** in simulation environment **1503**. Simulation environment **1503** is a virtual sphere spanning 360° in all directions surrounding user **1500**. User device **1501** has field of view **1504**. Field of view **1504** is a cone that has angular range α and spans an arcuate portion (in two dimensions) or a sectorial portion (in three dimensions) of simulation environment **1503**. User device orientation vector **1505** bisects field of view **1504** and angular range α into equal angles β . Weapon **1502** has weapon orientation vector **1506**. Each of user device orientation vector **1505** and weapon orientation vector **1506** is independent of each other. The positions of user device **1501**, weapon **1502**, user device orientation vector **1505**, and weapon orientation vector have Cartesian x,y,z coordinates. Simulation environment **1503** has spherical coordinates. Simulation environment **1503** includes virtual target launcher **1507**, virtual target **1508**, phantom target **1509** and phantom halo **1510**. As can be seen, weapon **1502**, virtual target **1508**, phantom target **1509**, and phantom halo **1510** are in field of view **1504** of user device **1501**. Virtual target launcher **1507** is not in field of view **1504** of user device **1501**. Weapon **1502**, virtual target **1508**, phantom target **1509** and phantom halo **1510** will be displayed in user device **1501** and virtual launcher **1507** will not be displayed in user device **1501**.

In a preferred embodiment, angular range α is approximately 110° and each of equal angles β is approximately 55°. Other angular ranges may be employed.

Referring to FIG. **15B**, step **1406** will be further described as method **1511** for determining a view for a user device with respect to a position and an orientation of the user device and the weapon. Method **1511** begins at step **1512**. At step **1513**, a set of current position image data is retrieved from a set of position trackers and a set of current position and orientation data is retrieved from the user device and the weapon and/or set of gloves. At step **1514**, a set of motion detection data is received from a set of sensors in the user

device to determine movement of the user device and from the weapon and/or set of gloves to determine movement of the weapon. At step 1515, the set of motion detection data and the position of the user device and the weapon and/or set of gloves are combined to determine an x, y, z position of the user device and the weapon and a roll, pitch, and yaw or detection of the user device and the weapon. The current x, y, z orientation vectors for the user device and the weapon are calculated from the difference between the baseline position and orientation and the current position and orientation of the user device and the weapon. The set of motion detection data received is the roll, pitch, and yaw orientation movement of the head of the user and the weapon. At step 1516, the current positions and orientation vectors of the user device and the weapon are mapped to the simulation environment. In a preferred embodiment, the current positions and orientation vectors are a 1:1 ratio to the positions and orientation vectors in the simulation environment. For example, for every inch and/or degree that the user device and/or the weapon moves and/or rotates, the view of the user and/or the simulated weapon moves one inch and/or rotates one degree in the simulated environment. Other ratios may be employed. The mapping determines the display view, as will be further described below. At step 1517, the simulation environment that would be visible to the user based on the orientation of the user device and the weapon is displayed. Method 1500 ends at step 1518.

Referring to FIG. 15C, step 1516 will be further described as method 1519 for mapping the position and orientation of the user device and the weapon to the simulation environment for determining a display field of view. At step 1520, the x, y, z positions of the weapon and the weapon orientation vector are retrieved. At step 1521, the x, y, z positions of the weapon and the weapon orientation vector are converted to spherical coordinates (r, θ, φ) using:

$$r = \sqrt{x^2 + y^2 + z^2} \tag{Eq. 9}$$

$$\theta = \arccos\left(\frac{z}{\sqrt{x^2 + y^2 + z^2}}\right) \tag{Eq. 10}$$

$$\varphi = \arctan\left(\frac{y}{x}\right) \tag{Eq. 11}$$

At step 1522, the weapon is rendered in the simulation environment at the spherical position and orientation vector. At step 1523, the x, y, z positions of the user device and the user device orientation vector are retrieved. At step 1524, the x, y, z positions of the user device and the user device orientation vector are converted to spherical coordinates (r, θ, φ) using Eqs. 9, 10, and 11. At step 1525, the display field of view is determined from the spherical orientation vector coordinates. In this step, equal angles β are measured from the user device orientation vector to define the display field of view as a sector of the simulation environment in spherical coordinates. At step 1526, the field of view sector is compared to the simulation environment to determine a portion of the simulation environment within the field of view sector. At step 1527, the portion of the simulation environment within the field of view sector is displayed on the user device as the display field of view. At step 1528, the spherical position and orientation vector of the weapon is compared to the field of view sector to determine whether the weapon is in the display field of view. If the weapon is not in the display field of view, then method 1519 returns to step 1520. If the weapon is in the display field of view, then

the weapon is displayed on the user device at the spherical position and orientation. Method 1519 then returns to step 1520.

Referring to FIG. 16A, step 1407 will be further described as method 1600 for generating a phantom target and a phantom halo. At step 1601, a phantom path is extrapolated. Referring to FIGS. 16B and 16C, target 1606 is launched from launch point 1611 and moves along target path 1607 at position P₁. Phantom target 1608 moves along phantom path 1609 ahead of target 1606 at position P₂. Position P₂ is lead distance 1610 and drop distance 1616 from position P₁. Phantom path 1609 varies as target 1606 and target path 1607 varies, thereby varying lead distance 1610. Marksman 1612 is positioned at distance 1613 from launch point 1611. Marksman 1612 aims at phantom target 1608 and shoots along shot path 1614 to intercept target 1606. Target path 1607 is extrapolated over time using the set of target flight data. Target path 1607 is calculated using Eqs. 1-4.

Referring to FIG. 16B, lead distance 1610 is calculated using target path 1607, the relative marksman location, and the set of weapon data.

$$D_{P_2} \approx \frac{D_{S_2} \tan \varphi_2}{\cos \theta \tan \varphi_2 - \sin \theta} \tag{Eq. 12}$$

$$D_{P_1} \approx \frac{D_{S_1} \tan \varphi_1}{\cos \theta \tan \varphi_1 - \sin \theta} \tag{Eq. 13}$$

where D_{P₂} is the distance of phantom target 1608 at position P₂ from launch point 1611, D_{S₂} is the distance from marksman 1612 to phantom target 1608 along shot path 1614, φ₂ is the angle between shot path 1614 and distance 1613, θ is the launch angle between target path 1607 and distance 1613, D_{P₁} is the distance of target 1606 at position P₁ from launch point 1611, D_{S₁} is the distance from marksman 1612 to target 1606 along shot path 1615, φ₁ is the angle between shot path 1615 and distance 1613, θ is the launch angle between target path 1607 and distance 1613. Lead distance 1610 is:

$$D_{Lead} \approx D_{P_2} - D_{P_1} \tag{Eq. 14}$$

$$D_{Lead} \approx \frac{A \Delta D_S \tan C \Delta \varphi}{\cos B \theta \tan C \Delta \varphi - \sin B \theta} \tag{Eq. 15}$$

where D_{Lead} is lead distance 1610, ΔD_S is the difference between the distances of shot paths 1614 and 1615, Δφ is the difference between angles φ₂ and φ₁, θ is the launch angle between target path 1607 and distance 1613, A is a variable multiplier for shot size, gauge, and shot mass, B is a variable multiplier for θ including vibration of a target thrower and a misaligned target in the target thrower, and C is a variable multiplier for drag, lift, and wind.

For example, the approximate times it takes for a 7½ shot size shell with an initial muzzle velocity of approximately 1,225 feet per second to travel various distances is shown in Table 1.

TABLE 1

Time and Distances of a 7½ Shot	
Distance from barrel	Time (seconds)
30 feet	0.027
60 feet	0.060

TABLE 1-continued

Time and Distances of a 7½ Shot	
Distance from barrel	Time (seconds)
90 feet	0.097
120 feet	0.139
150 feet	0.186
180 feet	0.238

Various lead distances between target **1606** and phantom target **1608** for target **1606** having an initial velocity of approximately 30 mph is shown in Table 2.

TABLE 2

Lead Distances with a 7½ Shot on a Full Crossing Shot	
Distance from Barrel	Lead Distance
60 feet	2.64 feet
90 feet	4.62 feet
120 feet	5.56 feet

Referring to FIG. **16C**, phantom path **1609** is offset from target path **1607** by drop distance **1616** to simulate and compensate for the average exterior ballistics drop of a shot.

The “drop of a shot” is the effect of gravity on the shot during the distance traveled by the shot. The shot trajectory has a near parabolic shape. Due to the near parabolic shape of the shot trajectory, the line of sight or horizontal sighting plane will cross the shot trajectory at two points called the near zero and far zero in the case where the shot has a trajectory with an initial angle inclined upward with respect to the sighting device horizontal plane, thereby causing a portion of the shot trajectory to appear to “rise” above the horizontal sighting plane. The distance at which the weapon is zeroed, and the vertical distance between the sighting device axis and barrel bore axis, determine the amount of the “rise” in both the X and Y axes, i.e., how far above the horizontal sighting plane the rise goes, and over what distance it lasts.

Drop distance **1616** is calculated by:

$$D_{Drop} \approx v_t \tau \ln \left[\cosh \left(\frac{t_{impact}}{\tau} \right) \right] \tag{Eq. 16}$$

where D_{Drop} is drop distance **1616**, t_{impact} is the time required for a shot string fired by marksman **1612** to impact target **1608**. t_{impact} is determined by a set of lookup tables having various impact times at predetermined distances for various shot strings.

$$v_t = \sqrt{\frac{2 \text{ mg}}{c \rho A}}, \text{ and} \tag{Eq. 17}$$

$$\tau = \frac{v_t}{g} \tag{Eq. 18}$$

where v_t is the terminal velocity of target **1606**, m is the mass of target **1606**, g is the vertical acceleration due to gravity, C is the drag coefficient for target **1606**, ρ is the density of the air, A is the planform area of target **1606**, and τ is the characteristic time.

Referring to FIGS. **16A** and **16C**, at step **1602**, phantom halo **1617** is determined. Phantom halo **1617** is a simulation of a shot string at a distance of the phantom target from the position of the marksman. In a preferred embodiment, an area of phantom halo **1617** is determined from the set of weapon data and calculated by:

$$A_{shot \ string} = \pi R_{string}^2 \tag{Eq. 19}$$

$$R_{string} = \gamma R_{initial} + v_{spread} t \tag{Eq. 20}$$

$$A_{phantom \ halo} = A_{shot \ string} \tag{Eq. 21}$$

where $A_{shot \ string}$ is the area of the shot string, R_{string} is the radius of the shot string, $R_{initial}$ is the radius of the shot as it leaves the weapon, γ is a variable multiplier for any choke applied to the weapon as determined from the set of weapon data, v_{spread} is the rate at which the shot spreads, and t is the time it takes for the shot to travel from the weapon to the target. $A_{phantom \ halo}$ is the area of phantom halo **1617**.

In one embodiment, the area of phantom halo **1617** varies as the amount of choke applied to the weapon varies.

Returning to FIG. **16A**, at step **1603**, a relative contrast value between the target and a background surrounding the target is analyzed by calculating the difference between a grayscale brightness of the target and an average brightness of the background surrounding the target and the difference between an average color of the target and a color of the background surrounding the target based on a desired day/night setting and a set of desired environmental conditions.

At step **1604**, a color and a contrast level of a phantom target is determined. In a preferred embodiment, the phantom target includes a set of pixels set at a predetermined contrast level. The predetermined contrast level is determined by the difference of the color between the phantom target and the target and the difference of the brightness between the phantom target and the target. In this embodiment, the predetermined contrast level is a range from a fully opaque image to a fully transparent image with respect to the image of the target and the image of the background.

In a preferred embodiment, the set of pixels is set at a predetermined color. For example, blaze orange has a pixel equivalent setting of R 232, G 110, B 0.

At step **1605**, a color and contrast level of the phantom halo is determined. In a preferred embodiment, the phantom halo includes a set of pixels set at a predetermined contrast level. The predetermined contrast level is determined by the difference of the color between the phantom halo and the target and the difference of the brightness between the phantom halo and the target. In this embodiment, the predetermined contrast level is a range from a fully opaque image to a fully transparent image with respect to the image of the target and the image of the background.

In a preferred embodiment, the set of pixels is set at a predetermined color. For example, black has a pixel equivalent setting of R 0, G 0, B 0. Any color may be employed.

Referring to FIG. **17**, a view of a simulation from the perspective of a marksman wearing a user device, such as user device **900**, is shown. Through display **1700**, background environment **1701** and target **1702** are viewed. Phantom target **1703** is projected at a lead distance and at a drop distance from target **1702**. Phantom halo **1704** is projected surrounding phantom target **1703**. Marksman **1705** aims weapon **1706** at phantom target **1703**.

In a preferred embodiment, shot center **1707** appears on display **1700** when marksman **1705** pulls a trigger of weapon **1706**. Shot string **1708** surrounds shot center **1707**.

In a preferred embodiment, shot string **1708** is a simulation of a shot pellet spread fired from weapon **1706**.

In an alternative embodiment, shot center **1707** is not displayed and shot string **1708** is displayed traveling from the barrel of weapon **1706** along a trajectory. The trajectory, size, positioning, and flight path of shot string **1708** are based on the location and orientation of weapon **1706** and are based on the type of ammunition selected for the simulation. When shot string **1708** intersects target **1702**, target **1702** is destroyed. An image of one or more of target **1702**, phantom target **1703**, and halo **1704** can be paused and displayed at their respective locations when the trigger of weapon **1706** was pulled while the target **1702** continues to move along its trajectory and shot string **1708** continues to move along its trajectory.

Referring to FIG. **18**, an isometric view shows an input device configured to be mounted on a rail system of a weapon. Input device **1802** is to be mounted to rail system **1804** of weapon **1806**.

Weapon **1806** includes barrel **1808**, sight **1846**, frame **1842**, member **1844**, cylinder **1810**, hammer **1812**, handle **1814**, trigger **1816**, trigger guard **1818**, trigger sensor **1860**, and rail interface system **1804**. Weapon **1806** is a double-action revolver wherein operation of trigger **1816** cocks and releases hammer **1812**. Rotation of cylinder **1810** is linked to movement of hammer **1812** and trigger **1816**.

Barrel **1808** is connected to frame **1842** and member **1844**. Member **1844** supports barrel **1808** and is the portion of weapon **1806** to which rail interface system **1804** is mounted. In alternative embodiments, rail interface system **1804** is mounted to other parts or portions of weapon **1806**, such as being directly mounted to barrel **1808**.

Frame **1842** connects barrel **1808**, member **1844**, trigger guard **1818**, trigger, handle **1814**, hammer **1812**, and cylinder **1810**. Frame **1842** and handle **1814** house the mechanisms that create action between trigger **1816**, cylinder **1810**, and hammer **1812**.

Rail interface system **1804** is a rail system for interfacing additional accessories to weapon **1806**, such as tactical lights, laser aiming modules, forward hand grips, telescopic sights, reflex sights, red-dot sights, iron sights, holographic sights, bipods, bayonets, and so on. Rail interface system **1804** may conform to one or more standard rail systems, such as the Weaver rail mount, the Picatinny rail (also known as MIL-STD-1913), and the NATO Accessory Rail. Rail interface system **1804** includes screws **1820**, base **1822**, member **1848**, and rail **1826**.

Screws **1820** fit and secure rail interface system **1804** to member **1844** of weapon **1806**. Screws **1820** compress base **1822** and member **1848** of rail interface system **1804** against member **1844** of weapon **1806**.

Rail **1826** includes ridges **1824**, slots **1850**, and angled surfaces **1856**. The longitudinal axis of rail **1826** is substantially parallel to the longitudinal axis of barrel **1808**. Slots **1850** are the lateral voids or slots between ridges **1824** and the longitudinal axis of barrel **1808**. Rail **1826** also includes a longitudinal slot **1852** that runs along the length of rail **1826** and is substantially parallel to the longitudinal axis of barrel **1808**. Angled surfaces **1856** of rail **1826** allow for the precise mounting of accessories to rail **1826**.

Input device **1802** includes rail mount **1828**, first portion **1830**, second portion **1832**, battery **1834**, processor **1836**, LEDs **1854**, button **1838**, and screws **1840**. Input device **1802** slides longitudinally onto rail **1826** of rail interface system **1804** of weapon **1806** and its position is secured by screws **1840**. The front surface of input device **1802** is flush

with a ridge **1824** of rail **1826** so that the location and orientation of input device **1802** with respect to barrel **1808** is known and the firing of weapon **1806** can be accurately simulated.

Rail mount **1828** of input device **1802** includes first portion **1830**, second portion **1832**, and angled surfaces **1858**. Angled surfaces **1858** of rail mount **1828** correspond to angled surfaces **1856** of rail **1826** to allow for a tight and precise fitment of input device **1802** to rail interface system **1804**. Screws **1840** of input device **1802** compress first portion **1830** and second portion **1832** against rail **1826** of rail interface system **1804** with sufficient force to prevent changes in the positioning or orientation of input device **1802** with respect to weapon **1806** as weapon **1806** is being used.

Battery **1834** of input device **1802** is connected to and powers the electrical components within input device **1802** including processor **1836** and LEDs **1854**. Processor **1836** controls LEDs **1854**. In additional embodiments, input device **1802** includes one or more sensors, accelerometers, gyroscopes, compasses, and communication interfaces. The sensor data from the sensors, accelerometers, gyroscopes, and compasses is sent from input device **1802** to a computer, such as computer **801** of FIG. **8**, via the communication interface. Input device **1802** includes button **1838** to turn on, turn off, and initiate the pairing of input device **1802**.

LEDs **1854** emit light that is sensed by one or more cameras or sensors, from which the locations and orientations of input device **1802** and weapon **1806** can be determined. The locations and orientations are determined from the transmission characteristics of the light emitted from LEDs **1854**, and the placement characteristics of LEDs **1854**.

Trigger sensor **1860** detects the pull of trigger **1816** when trigger **1816** presses onto pressure switch **1862** with sufficient movement and force. When hammer **1812** is fully cocked, trigger **1816** rests just above pressure switch **1862** so that any additional movement will release hammer **1812** and will activate pressure switch **1862**. One or more wires **1864** electrically connect trigger sensor **1860** to processor **1836** so that processor **1860** can determine when trigger **1816** is pulled when blanks or live rounds are not used. Trigger sensor **1860** is contoured to fit onto the back end of trigger guard **1818** behind trigger **1816** and trigger sensor **1860** is secured onto trigger guard **1818** by screws **1866**.

In a two wire embodiment, current from processor **1836** through a first wire of wires **1864** to trigger sensor **1860** is returned through a second wire of wires **1864**. In an alternative embodiment, wire **1864** is a single wire and a return path for the current from processor **1836** through wire **1864** to trigger sensor **1860** is created by electrically connecting trigger sensor **1860** to trigger guard **1818**, which is electrically connected to frame **1842**, rail system **1804**, input device **1802**, and processor **1836**.

In alternative embodiments, weapon **1806** is loaded with one or more live or blank rounds of ammunition that discharge through barrel **1808** after hammer **1812** is cocked and trigger **1816** is then pulled. Weapon **1806** does not include sensors for measuring the precise location of cylinder **1810**, hammer **1812**, and trigger **1816**. During simulation and after a round has been fired, the simulation shows the movement of cylinder **1810**, hammer **1812**, and trigger **1816** to prepare for a subsequent shot, which may or may not correspond to the actual state of weapon **1806**.

In alternative embodiments, the computer that receives data from one or more sensors from input device **1802** derives the state of weapon **1806** from data received from

one or more sensors and updates the display of weapon **1806** to show the state and/or firing of weapon **1806** in the simulation. For example, data from sensors, accelerometers, and gyroscopes within input device **1802** can indicate the click for when hammer **1812** is fully cocked, indicate the click for when cocked hammer **1812** is released and the chamber in cylinder **1810** is unloaded, and indicate the discharge of a live or blank round of ammunition. Data from a microphone, such as microphone **919** of FIG. **9**, can be used to similarly detect one or more states of weapon **1806** and the discharge of live or blank rounds of ammunition. When cylinder **1810** is configured to hold six rounds of ammunition and six shots have been fired successively, the simulation may indicate to the user that it is time to reload weapon **1806**. The simulation displays changes to the state of weapon **1806** as mechanical movements on weapon **1806** and displays the firing of weapon **1806** with associated mechanical movements of weapon **1806**.

Referring to FIG. **19**, a simulation view shows “beams” being projected from a barrel of a weapon. Weapon **1902** includes barrel **1904** with one or more simulated beams **1906**, **1912**, **1916**, **1920**, **1924**, **1928**, **1932**, and **1936** that emanate from the tip of barrel **1904**. Beams **1906**, **1912**, **1916**, **1920**, **1924**, **1928**, **1932**, and **1936** follow and are adjusted with the movement of barrel **1904** of weapon **1902**.

The beam of a laser in a real world environment is generally not visible to an observer unless reflected from an object in the environment. In a virtual reality environment, however, a simulated laser beam can be calculated and displayed. Simulated beams can be displayed with any level of transparency and can demonstrate characteristics that are not possible in the real world. For example, the simulated beam can be displayed as visible, and with a dispersion pattern or in a curved path.

As an example, beam **1906** is a beam of a simulated laser and is displayed as visible along its entire length. The beam is displayed as a line or as a tight cylinder. Beam **1906** emanates from point **1908** that is central to and aligned with barrel **1904**. Beam **1906** indicates the precise direction that barrel **1904** is pointed. Beam **1906** extends to point **1910** that is on the central longitudinal axis of barrel **1904** and is a fixed distance away from barrel **1904**.

In another embodiment, beam **1912** is displayed as a conical frustum starting from barrel **1904** and extending to circular cross section **1914**. The increase of the radius of beam **1912** from the radius of barrel **1904** to cross section **1914** approximates the increasing spread of a shot as it travels away from barrel **1904**. Circular cross section **1914** is displayed at the termination plane of beam **1912** and provides an indication of the maximum distance that a shot on target can reliably register as a hit.

Beams **1906** and **1912** maintain their respective shapes and orientation with respect to barrel **1904** as it is moved. Pulling the trigger of weapon **1902** while beam **1906** or beam **1912** is aligned with a phantom target or phantom halo, such as phantom target **1703** or phantom halo **1704** of FIG. **17**, registers as a hit to the simulated target.

Beam **1916** is displayed as a curved line that extends from point **1908** at barrel **1904**. Beam **1916** is tangential to beam **1906** at point **1908** and ends at point **1918**.

In another embodiment, beams **1916** and **1920** are curved to approximate the drop of a shot due to gravity. The curvature of beams **1916** and **1920** is calculated based on the amount of simulated force due to gravity **1940** and the angle of barrel **1904** when the trigger is pulled. Pulling the trigger of weapon **1902** while beam **1916** or beam **1920** is aligned

with a phantom target or phantom halo, such as phantom target **1703** or phantom halo **1704**, registers as a hit to the simulated target.

In another embodiment, beam **1920** is displayed as a curved conical frustum beginning at barrel **1904** and ending at circular cross section **1922**. Beam **1920** is curved to approximate the drop of a shot due to gravity and has a radius that increases along the length from barrel **1904** to cross section **1922** to simulate the spread of a shot.

In another embodiment, beams **1924** and **1928** are curved to approximate changes in shot trajectory due to windage **1942**. The amount of curvature of beams **1924** and **1928** is based on the amount of simulated force due to windage **1942** and the angle of barrel **1904** with respect to windage **1942**. The simulation of windage may approximate changes in wind velocity and direction, such as found in a gusty wind. In this embodiment, the simulation is calculated so that the beam moves with respect to the longitudinal axis of the barrel to indicate how the shot would be affected by windy conditions. When windage **1942**, is simulated, pulling the trigger of weapon **1902** while beam **1924** or beam **1928** is aligned with a phantom target or phantom halo, such as phantom target **1703** or phantom halo **1704**, registers as a hit to the simulated target.

Beam **1924** is displayed as a curved line that extends from point **1908** at the tip of barrel **1904**. Beam **1924** is tangential to beam **1906** at point **1908** and ends at point **1926**.

Beam **1928** is displayed as a curved conical frustum starting at the circular tip of barrel **1904** and ending at circular cross section **1930**. Beam **1928** is curved to approximate the drop of a shot due to gravity and has a radius that increases along the length from the tip of barrel **1904** to cross section **1930** to simulate the spread of a shot.

Beams **1932** and **1936** are curved to approximate changes in shot trajectory due to both gravity **1940** and windage **1942**. The curvature of beams **1932** and **1936** is based on the amount of gravity **1940** and windage **1942** and based on the angle of barrel **1904** with respect to gravity **1940** and windage **1942**. When both gravity **1940** and windage **1942** are simulated, pulling the trigger of weapon **1902** while beam **1932** or beam **1936** is aligned with a phantom target or phantom halo, such as phantom target **1703** or phantom halo **1704**, registers as a hit to the simulated target.

Beam **1932** is displayed as a curved line that extends from point **1908** at the tip of barrel **1904**. Beam **1932** is tangential to beam **1906** at point **1908** and ends at point **1934**.

Beam **1936** is formed as a curved conical frustum starting at ‘barrel **1904** and ending at circular cross section **1938**. Beam **1936** is curved to approximate the changes to the trajectory of a shot due to both gravity **1940** and windage **1942** and the radius of beam **1936** increases along the length from the tip of barrel **1904** to cross section **1938** to approximate the spread of a shot.

It will be appreciated by those skilled in the art that the described embodiments disclose significantly more than an abstract idea including technical advancements in the field of data processing and a transformation of data which is directly related to real world objects and situations in that the disclosed embodiments enable a computer to operate more efficiently. For example, the disclosed embodiments transform positions, orientations, and movements of a user device and a weapon into a graphical representations of the user and the weapon in a simulation environment.

It will be appreciated by those skilled in the art that modifications can be made to the embodiments disclosed and remain within the inventive concept. Therefore, this

31

invention is not limited to the specific embodiments disclosed, but is intended to cover changes within the scope and spirit of the claims.

The invention claimed is:

1. A system comprising a weapon, a removable plug, a virtual reality unit, and a computer, the system for generating and displaying a virtual reality simulation, the system further comprising:

the weapon comprising:

a first sight;

the removable plug fitted to the weapon, the removable plug comprising:

a sensor system, from which first sensor data is generated that is related to a location and orientation of the weapon;

the virtual reality unit comprising:

a processor programmed to:

operate a set of sensors of the virtual reality unit; generate and display a second sight that is different from the first sight;

the computer programmed to:

generate, based on the location and orientation of the weapon derived from the first sensor data and based on the location and orientation of the virtual reality unit derived from second sensor data, the virtual reality simulation including the virtual target, a phantom target, a halo on the phantom target, the weapon, and a sight profile; and,

generate the phantom target with a lead and a drop so that a simulated shot from the weapon aimed at the phantom target would hit the virtual target, the lead and the drop based on a direction and a speed of the virtual target.

2. The system of claim 1:

wherein the second sight is one of an iron sight, a reflex sight, and a holographic sight.

3. The system of claim 2:

wherein the weapon comprises:

a muzzle;

an adjustable comb; and,

an adjustable butt plate.

4. The system of claim 3:

wherein the removable plug is fitted to the weapon and further comprises:

a battery to power components of the removable plug, including the sensor system and a processor;

a communication interface;

a connector to connect the removable plug to the muzzle of the weapon; and,

the processor of the removable plug programmed to operate the one or more sensors of the removable plug.

5. The system of claim 4 further comprising:

a first portion of the removable plug that fits inside the muzzle.

6. The system of claim 5 further comprising:

a second portion of the removable plug that fits outside the muzzle and including the sensor system of the removable plug.

7. The system of claim 6:

wherein the virtual reality unit further comprises:

the set of sensors, from which the second sensor data is generated that is related to a location and orientation of the virtual reality unit;

a display unit to display a virtual target, a phantom target, a halo on the phantom target, a virtual weapon that represents the weapon in the virtual reality

32

simulation, a sight profile, a suggested adjustment for the adjustable comb, and a suggested adjustment for the adjustable butt plate; and,

a communication interface.

8. The system of claim 7:

wherein the computer is further programmed to:

generate the phantom target with the lead and the drop based on a type of ammunition being simulated;

generate tracking data that includes the number of targets that are hit, the number of targets that are missed, a location of each shot with respect to the phantom target, and a location of a shot string with respect to a trajectory of the virtual target; and,

generate the suggested adjustment for the adjustable comb and the suggested adjustment for the adjustable butt plate based on the tracking data.

9. The system of claim 8:

wherein the weapon includes a trigger sensor attached to a trigger guard of the weapon and that includes:

a pull ring;

a set of screws to secure the trigger sensor to the trigger guard;

a light emitting diode (LED); and,

a controller configured to control the LED to generate a coded signal that corresponds to a state of the trigger sensor.

10. The system of claim 9 wherein the computer is further programmed to:

display, based on detection of a discharge of a round of ammunition from the weapon, a cycling of a receiver of the weapon in the virtual reality simulation.

11. A system for generating and displaying a virtual reality simulation that comprises:

a weapon that includes a first sight;

a removable plug configured for attachment directly to a preferred barrel of the weapon;

a virtual reality unit;

a computer;

the removable plug fitted to the weapon, the removable plug comprising:

a sensor system, from which first sensor data is generated that is related to a location and orientation of the weapon;

the virtual reality unit comprising:

a processor programmed to:

operate a set of sensors of the virtual reality unit from which second sensor data is generated that is related to a location and orientation of the virtual reality unit;

generate and display a second sight that is different from the first sight;

the computer programmed to:

generate, based on the first sensor data and the second sensor data, the virtual reality simulation including a virtual target, a phantom target, a halo on the phantom target, the weapon, and a sight profile; and,

generate the phantom target with a lead and a drop so that a simulated shot from the weapon aimed at the phantom target would hit the virtual target, the lead and the drop based on a direction and a speed of the virtual target.

12. The system of claim 11:

wherein the weapon is an over-under shotgun having an upper barrel and a lower barrel; and,

wherein the preferred barrel is the lower barrel.

33

- 13. The system of claim 12:
wherein the removable plug further comprises:
a hollow portion to allow discharge of live rounds of
ammunition during the virtual reality simulation.
- 14. The system of claim 13:
wherein the removable plug further comprises:
a front surface of the removable collar that is flush with
a front surface of the under barrel.
- 15. The system of claim 14:
wherein the removable plug further comprises:
a member that is flat and elongated to that allow for
removable collar to be fitted to an end of the lower
barrel.
- 16. A system for generating and displaying a virtual
reality simulation that comprises:
a weapon that includes a first sight;
a removable plug;
a virtual reality unit;
a computer;
the removable plug fitted to the weapon, the removable
plug comprising:
a sensor system, from which first sensor data is gen-
erated that is related to a location and orientation of
the weapon;
the virtual reality unit comprising:
a processor programmed to:
operate a set of sensors of the virtual reality unit from
which second sensor data is generated that is
related to a location of the virtual reality unit;

34

- generate and display a second sight that is different
from the first sight;
project a beam from a barrel of the weapon;
the computer programmed to:
generate, based on first sensor data and the second
sensor data, the virtual reality simulation including a
virtual target, a phantom target, a halo on the phan-
tom target, the weapon, and a sight profile; and,
generate the phantom target with a lead and a drop so
that a simulated shot from the weapon aimed at the
phantom target would hit the virtual target, the lead
and the drop based on a direction and a speed of the
virtual target.
- 17. The system of claim 16:
wherein the beam is displayed as visible along its entire
length.
- 18. The system of claim 17:
wherein the beam is displayed as one of a line, a tight
cylinder, and a conical frustum.
- 19. The system of claim 18:
wherein the beam includes a circular cross section at an
end that indicates a maximum distance to reliably
register a hit.
- 20. The system of claim 19:
wherein the beam is curved to approximate effects from
gravity and windage.

* * * * *